

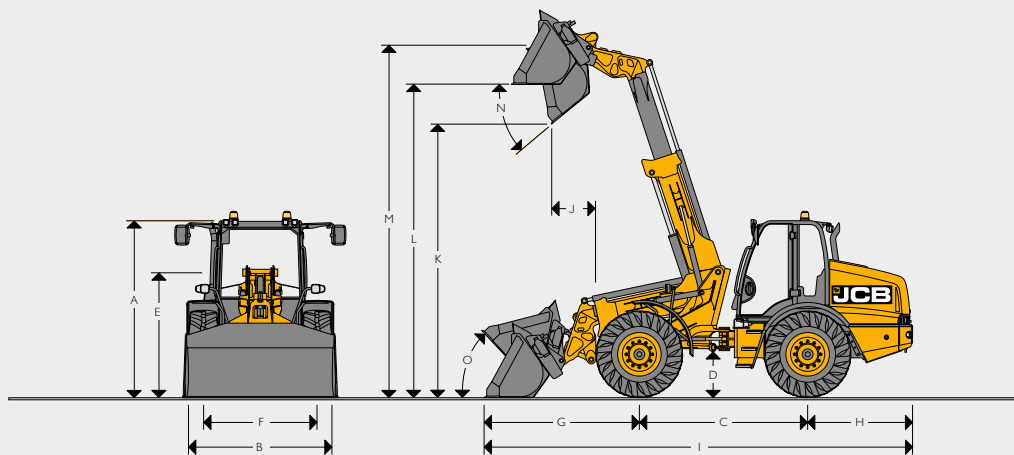


TELESCOPIC WHEEL LOADER | TM420

Gross power: 108kW (145hp) | Lift capacity: 4100kg | Lift height: 5450mm



STATIC DIMENSIONS



STATIC DIMENSIONS

A	Overall height	mm	2827
B	Overall width (over tyres)	mm	2350
C	Wheelbase	mm	2758
D	Ground clearance to bottom of axle	mm	466
E	Height to top of boom pivot	mm	1975
F	Wheel track	mm	1860
G	Axle to shovel toe plate	mm	2532
H	Axle to counterweight face	mm	1721
I	Total length*	mm	7011
J	Dump reach	mm	735
K	Dump height	mm	4411
L	Load over height	mm	5064
M	Pin height	mm	5661
N	Maximum dump angle	degrees	39
O	Roll back at carry	degrees	43
	Total length to front of hitch	mm	5829
	Inside radius	mm	3880
	Outside radius (edge of tyre)	mm	5060
	Outside radius (over shovel)	mm	5680
	Articulation angle	deg	± 40°
	Operating weight	kg	9530
	Front axle weight	kg	3280
	Rear axle weight	kg	6250
	Tyres used for specifications	Michelin XMCL 480/80R26	
	Bucket used for specifications	1.6m ³ GP	
	Hitch used for specification	Q-Fit	

*Please note total length: machine fitted with standard bucket - in carry position, shovel crowded fully back.

ENGINE

Manufacturer	JCB	
Model	EcoMAX	
Capacity	litres	4.8
Aspiration	Turbocharged/charge cooled	
Number of cylinders	4	
Power rating		
Gross power to SAE J1995/ISO 14396	kW (hp)	108 (145) @ 2200 rpm
Net power to J1349/EEC 80/12	kW (hp)	101 (135) @ 2200 rpm
Torque rating		
Gross torque	Nm	560 @ 1500 rpm

TRANSMISSION

Type	Powershift	
Make	JCB	
Model	PS760 - 6 Speed	
Max. travel speed	kph	40

AXLES

Type	Epicyclic hub reduction	
Make	JCB	
Model	PD87 Max-Trac	
Overall axle ratio/ drop box ratio	15.23	
Chassis angle oscillation	degrees	± 10°

BRAKES

Service brakes	In board oil immersed brakes	
Parking brake	Cable operated disc brake on transmissions output shaft	

NOISE AND VIBRATION

		Uncertainty	Measurement conditions
Noise at the operator station	LpA 73 dB	+/- 1 dB	Determined in accordance with the test method defined in ISO 6396 and the dynamic test condition defined on 2000/14/EC.
Noise emission from the machine	LWA 107 dB	+/- 1 dB	Guaranteed equivalent sound power (external noise) determined in accordance with the dynamic test conditions defined in 2000/14/EC.
Whole body vibration	m/s ² 0.39	+/- 0.11 dB	ISO 2631-1:1997 normalised to an 8h reference period and based upon a test cycle comprising of loader work (soil).
Hand-arm vibration	m/s ² <2.5	N/A	ISO 5349-2:2001 dynamic test conditions.

SERVICE FILL CAPACITIES

Hydraulic tank	litres	97
Fuel tank	litres	160
Engine oil sump	litres	14
Axle oil (front) including hubs	litres	25
Axle oil (rear) including hubs	litres	25
Drop box	litres	1.3
DEF	litres	29
Transmission	litres	19

HYDRAULICS

Pump type	Variable displacement piston pump	
Pump maximum flow	l/min	160
Pump maximum pressure	bar	260

Hydraulic cycle times

Boom raise	seconds	5.1
Boom lower	seconds	4.7
Extend	seconds	3.6
Retract	seconds	3.5
Bucket dump	seconds	2.9
Bucket crowd	seconds	3.4
Total cycle time	seconds	15

ELECTRICAL SYSTEM

System voltage	Volt	12
Alternator output	Amp Hour	150
Battery capacity	Amp Hour	120

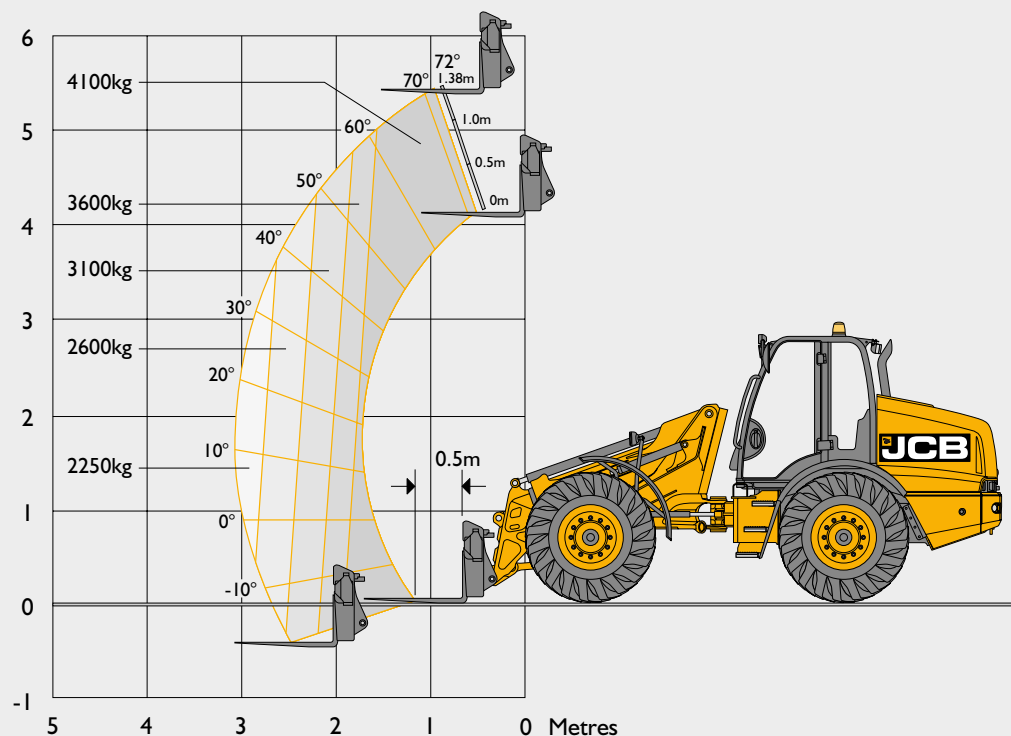
TYRE OPTIONS

Manufacturer	Size	Type	Application	Dimensional changes	
				Overall height (mm)	Width over tyres (mm)
Michelin	480/80R26	XMCL	AG	-	-
Michelin	480/80R26	BIBLOAD	AG/EM	+8	0
Michelin	620/70R26	CEREXBIB	AG	+7	+201
Michelin	17.5R25	XHA	EM	-54	-19
Michelin	17.5R25	XSNPLUS	EM	-60	-19
Nokian	17.5R25	LOADER GRIP TL	EM	-42	-20
JCB	17.5R25	EARTHMOVER	EM	-23	-22

LOADER PERFORMANCE - FORK FRAME WITH FORKS

Maximum lift capacity to full height with forks	kg	4100
Lift capacity at full reach	kg	2250
Lift height	mm	5450
Maximum forward reach	mm	3050
Straight tipping load - forks with 500mm load centre*	kg	6670
Full turn tipping load - forks with 500mm load centre*	kg	5200 **
Full turn tipping load - forks calculated @ 80% load factor*	kg	4160 **
Full turn tipping load - forks calculated @ 60% load factor*	kg	3120 **
Breakout force - tearout	kg	7200

** Straight and Full Turn Tipping Load with forks and direct mount to Q-Fit carriage to EN474 (ISO 14397)





ONE COMPANY, OVER 300 MACHINES.

Your nearest JCB dealer

Telescopic Wheel Loader TM420

Gross power: 108kW (145hp) Lift capacity: 4100kg Lift height: 5450mm

JCB Agriculture, Rocester, Staffordshire ST14 5JP.

Tel: +44 (0)1889 590312 Email: salesinfo@jcb.com

Download the very latest information on this product range at: www.jcb.com

[f facebook.com/JCBAg](https://www.facebook.com/JCBAg)
[t @JCBAgriculture](https://twitter.com/JCBAgriculture)
[y youtube.com/JCBAgriculture](https://www.youtube.com/JCBAgriculture)

©2014 JCB Sales. All rights reserved. No part of this publication may be reproduced, stored in a retrieval system, or transmitted in any form or by any other means, electronic, mechanical, photocopying or otherwise, without prior permission from JCB Sales. All references in this publication to operating weights, sizes, capacities and other performance measurements are provided for guidance only and may vary dependant upon the exact specification of machine. They should not therefore be relied upon in relation to suitability for a particular application. Guidance and advice should always be sought from your JCB Dealer. JCB reserves the right to change specifications without notice. Illustrations and specifications shown may include optional equipment and accessories. All images are correct at time of print. The JCB logo is a registered trademark of J C Bamford Excavators Ltd.

9999/6023 en-GB 03/18 Issue 1

