



# WIRE SAW TECHNOLOGY

## INFORMATION

### CEDIMA automatic wire saws

- automatic cutting force control, provides constantly the correct wire tension while cutting and ensures a permanent maximum output at the lowest possible tool costs
- due to the extensively automated cutting operation the operator's job is effectively eased and possible mistakes due to mishandling are widely avoided
- the construction of the automatic wire saws allows looping of a maximum wire length around the drive wheel, this involving a high power transmission
- the modular design of the machines and the wide range of accessories enable you to compose your wire sawing equipment according to your special requirements

**CSA-100: for small to medium surfaces**

**CSA-1001: with a wire storage capacity of 21 m for large surfaces**

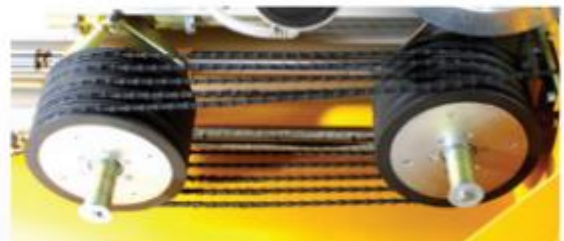
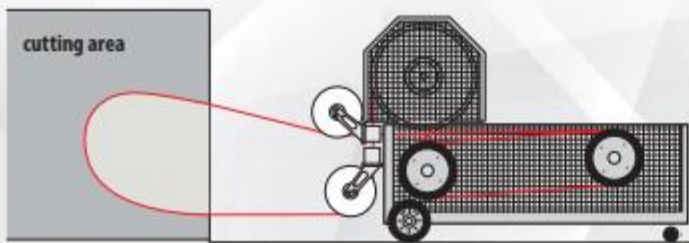
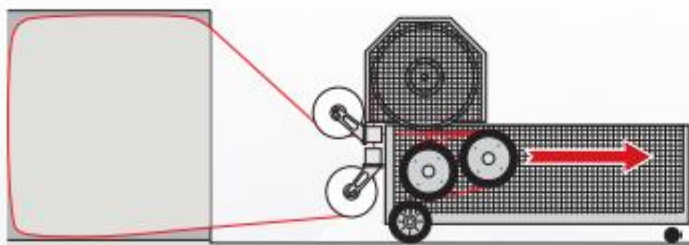


| Wire storage                   | min. wire length in the machine | max. wire length in the machine | max. available wire storage capacity |
|--------------------------------|---------------------------------|---------------------------------|--------------------------------------|
| CSA-1001 with 10 storage rolls | 6,5 m                           | 20,5 m                          | 14,0 m                               |
| CSA-1001 with 14 storage rolls | 6,5 m                           | 27,5 m                          | 21,0 m                               |
| CSA-100 with 8 storage rolls   | 4,0 m                           | 10,5 m                          | 6,5+1,5* m                           |



### Wire storage

#### Operating mode of wire storage



The functionality of the wire storage is similar to a chain-block. In the interior the diamond wire is laid in an endless loop around 2 packages of rolls. The rear package of rolls can be moved hydraulically.

For the starting position the 2 packages of rolls are directly adjoined. The diamond wire has to be mounted on at least 2 rolls of package. While cutting, the rear package of rolls is moved backwards. This way, the wire set free during the sawing process is pulled into the machine.

When reaching the final stop, the cutting operating is interrupted by the operator, the rear package of rolls is moved forward again and the wire set free is looped around the remaining storage rolls. This procedure can be repeated until all the storage rolls are lined with wire. Due to this operating mode large cutting surfaces can be implemented without repositioning the machine or shortening the wire.



# WIRE SAW TECHNOLOGY

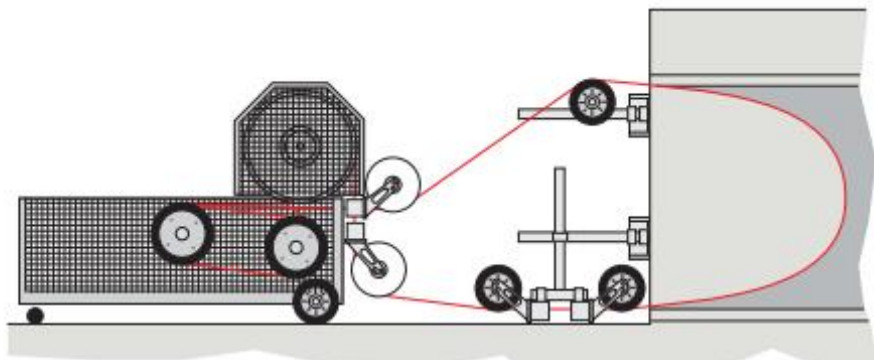
## INFORMATION

Today the cutting with diamond wires offers almost unlimited possibilities to professional users. Thanks to modern wire saw technology it is no problem any longer to cut concrete, reinforced concrete or masonry which before was a task of high complexity. By using swivel rolls and wire guide pulleys cuts in any direction and of any kind become possible. Also in places difficult to access and in extremely narrow areas where a wall saw cannot be used the wire saw technology can be applied without any problems.

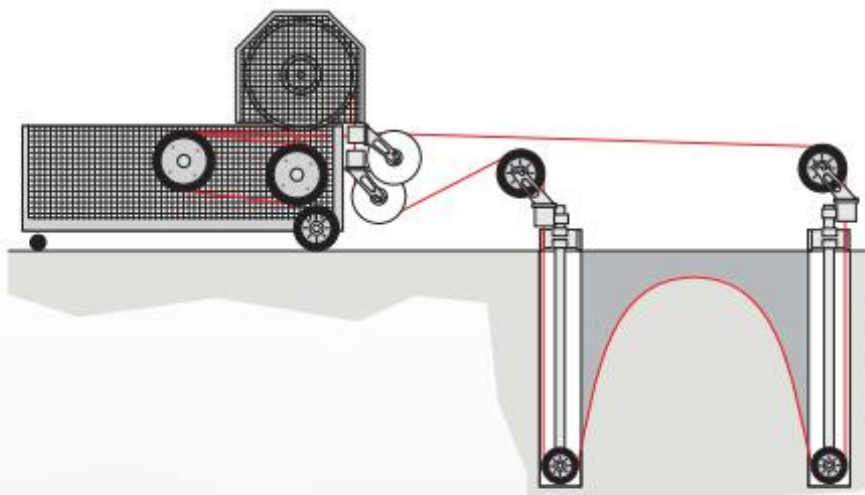
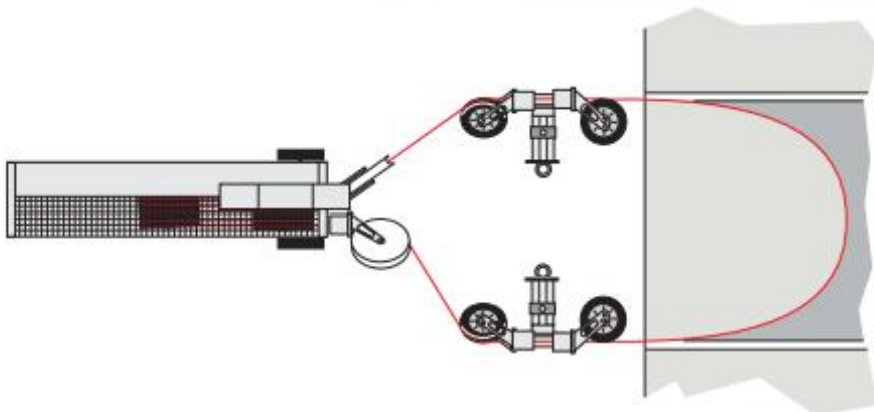
### Use wire saws

#### Cutting a wall opening

For making a rectangular opening four steps are necessary. The wire is led through two prepared core drilling holes at the corners of the area to be cut. Wire guide pulleys and swivel rolls lead the diamond wire from the machine to the cut.

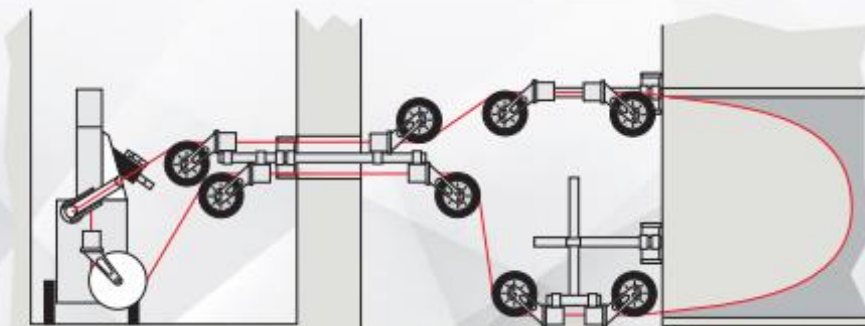


For horizontal cuts the diamond wire can be guided on its shortest way to a horizontal cutting position by means of parallel positioned swivel rolls.



#### The wire saw operating as an immersion saw

If the diamond wire cannot be led around the material to be cut due to structural reasons the wire saw is operated with the help of immersion columns. Two immersion rolls are placed into corresponding blind hole drillings. The wire „immerses“ into the material to be cut.



#### Wire sawing in narrow areas

By means of swivel rolls the diamond wire can be led to the cut through cramped areas of narrow passages.

## AUTOMATIC WIRE SAWS

### CSA-100 H

Order no. 30000463



| Technical data               |       | CSA-100 H        |
|------------------------------|-------|------------------|
| Storage rolls                | pcs.  | 8                |
| Wire in storage min./max.    | m     | 4,0 / 10,5       |
| Max. wire storage capacity   | m     | 6,5 + 1,5*       |
| Motor                        |       | hydraulic motor  |
| Weight without motor         | kg    | 54,0             |
| Weight with motor            | kg    | 60,8             |
| Oil flow feed                | l/min | 1 - 15           |
| Max. operating pressure feed | bar   | 100              |
| Dimensions L/W/H             | mm    | 1050 / 300 / 460 |

| Technical data               |       | Hydraulic drive |
|------------------------------|-------|-----------------|
| Max. output hydraulic motors | kW    | 20              |
| Oil quantity hydraulic drive | l/min | 25 - 55         |
| Max. working pressure drive  | bar   | 250             |



Hydraulic power pack HAG-12.12 with hydraulic control panel HSP-12

### Application set wire saw CSA-100 H

| Order no. | Type      | Description   |
|-----------|-----------|---|
| 30000463  | CSA-100   | automatic wire saw with 2 mini swivel rolls and ground mounting foot, without drive motor |
| 30000467  | -         | wire guard set with water collecting function   |
| 30000425  | HM-19     | hydraulic drive motor 19 cm <sup>3</sup>  |
| 50008712  | HAG-12.22 | hydraulic power pack with hydraulic control panel   |
| 30000423  | -         | set of hoses 3-parts, 10 m long, for drive of drive wheel (wire saw)                      |
| 30001011  | -         | set of hoses 2-parts, 10 m long, (for feed at wire sawing with HAG-12.22)                 |

### Additional suitable components

| Order no. | Type      | Description   |
|-----------|-----------|---|
| 30000426  | HM-23     | hydraulic drive motor 23 cm <sup>3</sup> , alternatively to HM-19     |
| 50008713  | HAG-12.12 | hydraulic power pack  |
| 30000429  | HSP-12    | hydraulic control panel   |
| 30000421  | -         | set of hoses 2-parts, 10 m long (for feed at wire sawing with HSP-12) |
| 30001033  | MF-6000   | foot for mounting to wall or ground with mounting tube                |
| 30001135  | -         | wheel kit for mounting foot   |
| 30000465  | -         | precision swivel foot 360° with mounting tube                         |
| 30000667  | -         | set of anchoring dowels M12 with impact nut                           |

