

SPECIFICATION

JCB E-TECH

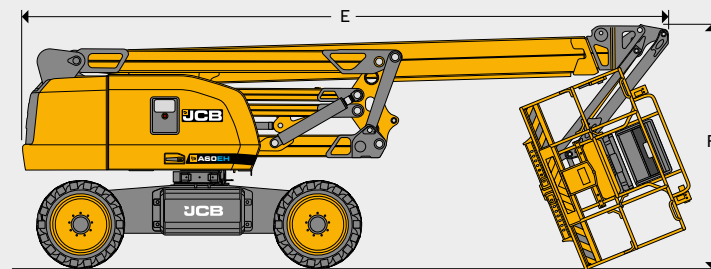
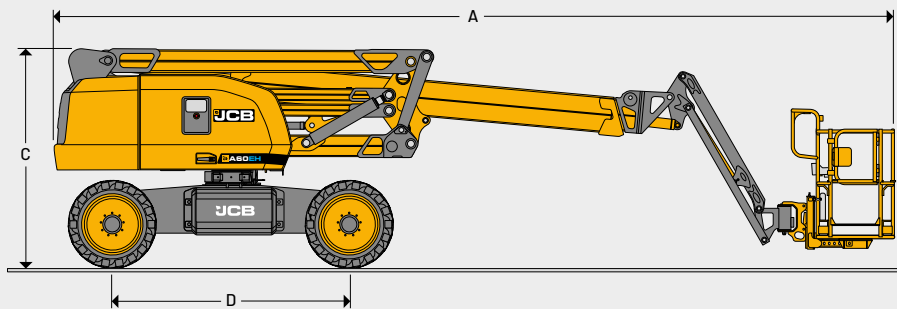


A60E / A60EH ARTICULATED BOOM

**HIGHER
STANDARDS**

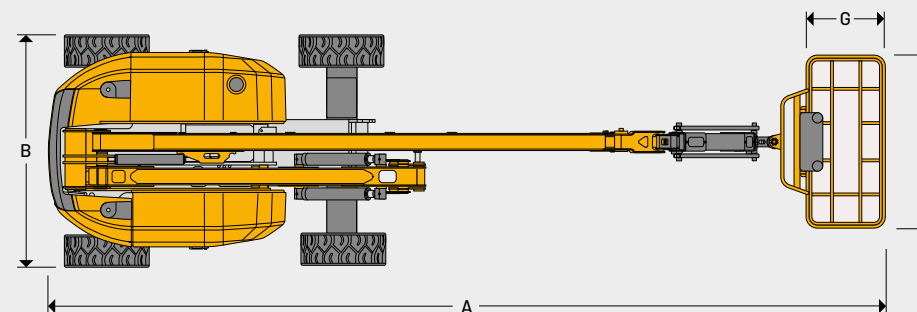
JCB

DIMENSIONS



DIMENSIONS

		A60E	A60EH
	Weight	kg	9,900
A	Length (stowed)	m	8.8
B	Width (stowed)	m	2.5
C	Height (stowed)	m	2.3
D	Wheelbase	m	2.5
E	Length (transport)	m	7.1
F	Height (transport)	m	2.6
	Tail swing	m	0.65
	Ground clearance	m	0.29



PLATFORM

		A60E	A60EH
G	Platform length	m	0.82
H	Platform width	m	1.84
	Platform height	m	1.14
	Entry type	Gate and drop bar	
	Entry number	3	
	Occupancy	3	
	Capacity (unrestricted / restricted)	kg	300 / 454
	Rotation	degrees	180
	Crush protection - electronic	Std	

ELECTRICS

		A60E	A60EH
	Voltage	v	48
	Battery make	VISION	
	Battery model	EVL16-400A-AM	
	Capacity	Ah	400
	Tilt sensor setting	Degree	5

ENGINE

		A60EH	
	Make	Kohler	
	Type	Diesel 4 stroke, in-line 3-cylinder	
	Model	KDW1003	
	Power	kW	14.8
	Fuel tank capacity	litres	40

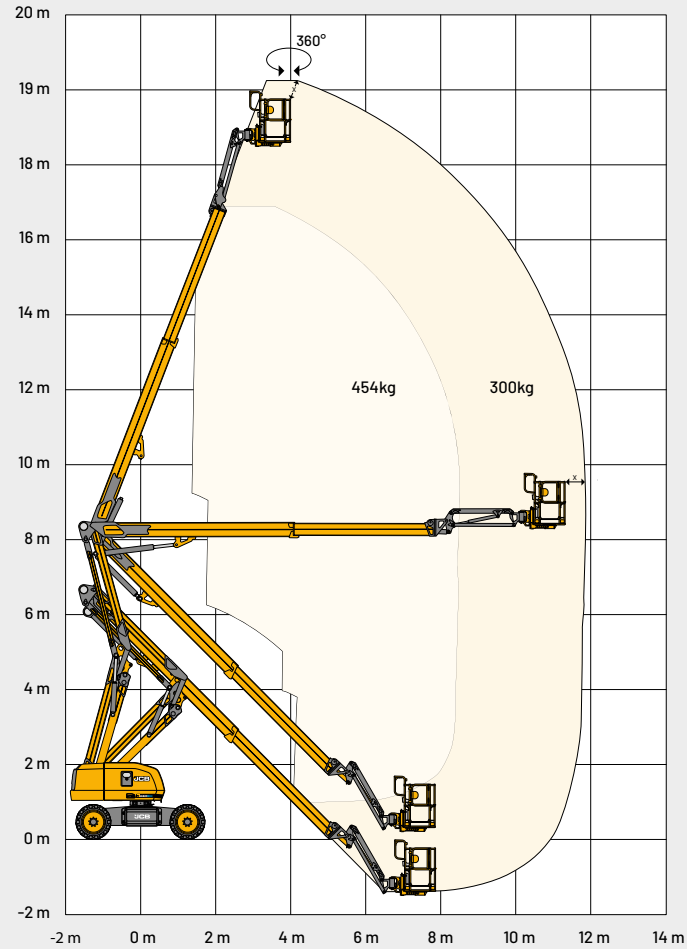
DRIVELINE

		A60E	A60EH
	Drive	4WD	
	Max stowed speed	km/h	5.5
	Max raised speed	km/h	0.5
	Gradeability	%	40

TYRES

		A60E	A60EH
	Type	Foam fill non-marking	
	Size	355/55D625	

LIFT PERFORMANCE

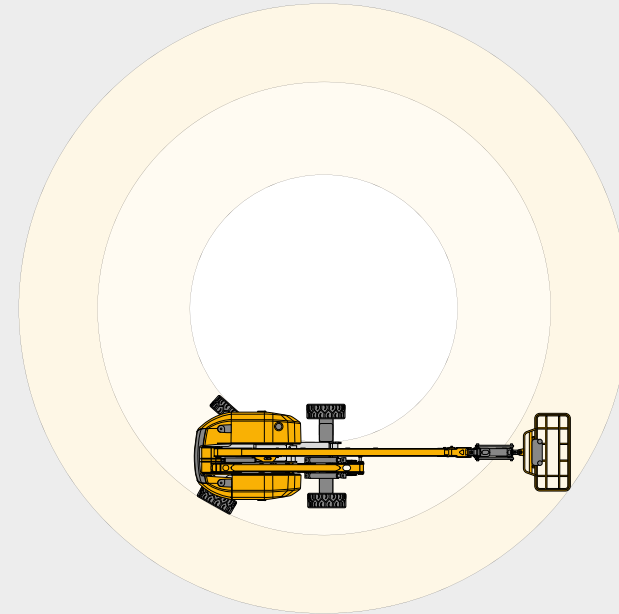


X = Working envelope

Platform height	m	18.3
Horizontal reach	m	11.9
Up and over clearance*	m	8.3
Rotation	degrees	360
Wind speed	m/s	12.5

*Up and over clearance is the max height that the basket can reach horizontally.

TURNING CIRCLE



Type		2WS
Turning radius (inside)	m	3.17
Turning radius (outside)	m	5.35
Max circle in folded position	m	7.21

LIVELINK

LiveLink		Standard
----------	--	----------

A60E / A60EH ARTICULATED BOOM

HIGHER STANDARDS

JCB, Rokester, Staffordshire, United Kingdom ST14 5JP. Tel: +44 (0)1889 590312. salesinfo@jcb.com. www.jcb.com

©2026 JCB Sales. All rights reserved. No part of this publication may be reproduced, stored in a retrieval system, or transmitted in any form or by any other means, electronic, mechanical, photocopying or otherwise, without prior permission from JCB Sales. All references in this publication to operating weights, sizes, capacities and other performance measurements are provided for guidance only and may vary dependant upon the exact specification of machine. They should not therefore be relied upon in relation to suitability for a particular application. Guidance and advice should always be sought from your JCB Dealer. JCB reserves the right to change specifications without notice. Illustrations and specifications shown may include optional equipment and accessories. The JCB logo is a registered trademark of J C Bamford Excavators Ltd.

33532 en-GB 02/26 Issue 2



**DISCOVER
MORE**

