

## GRT655/GRT655L

### Product guide

EN13000  
Metric 85 %



60 t/51 t



GRT655:  
10,6 m - 34,8 m

GRT655L:  
10,8 m - 43,0 m



7,92 m - 13,7 m



GRT655:  
51,8 m

GRT655L:  
59,7 m

Dimensions • Abmessungen • Encombrement • Dimensiones • Dimensioni • Dimensões • Размеры \_\_\_\_\_ 7

Weight reductions • Gewichtsreduzierung durch Lastaufnahmemittel • Reductions de charge •  
Reducciones de peso • Riduzioni di peso • Reduções de peso • Таблица весовых характеристик \_\_\_\_\_ 10

Data • Daten • Caractéristiques • Datos • Dati • Características • Данные \_\_\_\_\_ 12

Load charts • Traglasten • Capacités de levage • Capacidades • Capacità \_\_\_\_\_ 13

Diagramas de carga • Таблицы грузоподъемности \_\_\_\_\_ 13

GRT655 Working range • Arbeitsbereich • Rayon d'opération • Diagrama de alcances  
Area di lavoro • Raio de operação • Грузовысотные характеристики \_\_\_\_\_ 13

GRT655 Telescopic boom • Teleskopausleger • Flèche principale • Pluma telescópica  
Braccio telescopico • Lança telescópica • Телескопическая стрела \_\_\_\_\_ 14

GRT655 Manual bifold swingaway • Manuelle Doppelklappspitze • Extension à double repliage latéral manuel  
Extensión abatible, manual, articulada en dos secciones • Falcone ripieghevole meccanico  
Extensão dupla articulada, manual • Двухсекционный удлинитель с ручным отклонением \_\_\_\_\_ 17

GRT655 Telescopic boom • Teleskopausleger • Flèche principale • Pluma telescópica  
Braccio telescopico • Lança telescópica • Телескопическая стрела \_\_\_\_\_ 18

GRT655L Working range • Arbeitsbereich • Rayon d'opération • Diagrama de alcances  
Area di lavoro • Raio de operação • Грузовысотные характеристики \_\_\_\_\_ 20

GRT655L Telescopic boom • Teleskopausleger • Flèche principale • Pluma telescópica  
Braccio telescopico • Lança telescópica • Телескопическая стрела \_\_\_\_\_ 21

GRT655L Manual bifold swingaway • Manuelle Doppelklappspitze • Extension à double repliage latéral manuel  
Extensión abatible, manual, articulada en dos secciones • Falcone ripieghevole meccanico  
Extensão dupla articulada, manual • Двухсекционный удлинитель с ручным отклонением \_\_\_\_\_ 24

GRT655L Telescopic boom • Teleskopausleger • Flèche principale • Pluma telescópica  
Braccio telescopico • Lança telescópica • Телескопическая стрела \_\_\_\_\_ 25

Weight reductions • Gewichtsreduzierung durch Lastaufnahmemittel • Reductions de charge  
Reducciones de peso • Riduzioni di peso • Reduções de peso • Таблица весовых характеристик \_\_\_\_\_ 27

Load charts • Traglasten • Capacités de levage • Capacidades • Capacità  
Diagramas de carga • Таблицы грузоподъемности \_\_\_\_\_ 28

Specification \_\_\_\_\_ 29

Technische Daten \_\_\_\_\_ 30

Caractéristiques techniques \_\_\_\_\_ 31

Características técnicas \_\_\_\_\_ 32

Caratteristiche tecniche \_\_\_\_\_ 33

Características técnicas \_\_\_\_\_ 34

Технические характеристики \_\_\_\_\_ 35

Symbols • Symbolerklärung • Glossaire des symboles  
Glosario de símbolos • Glossario dei simboli • Símbolos • Символы \_\_\_\_\_ 36

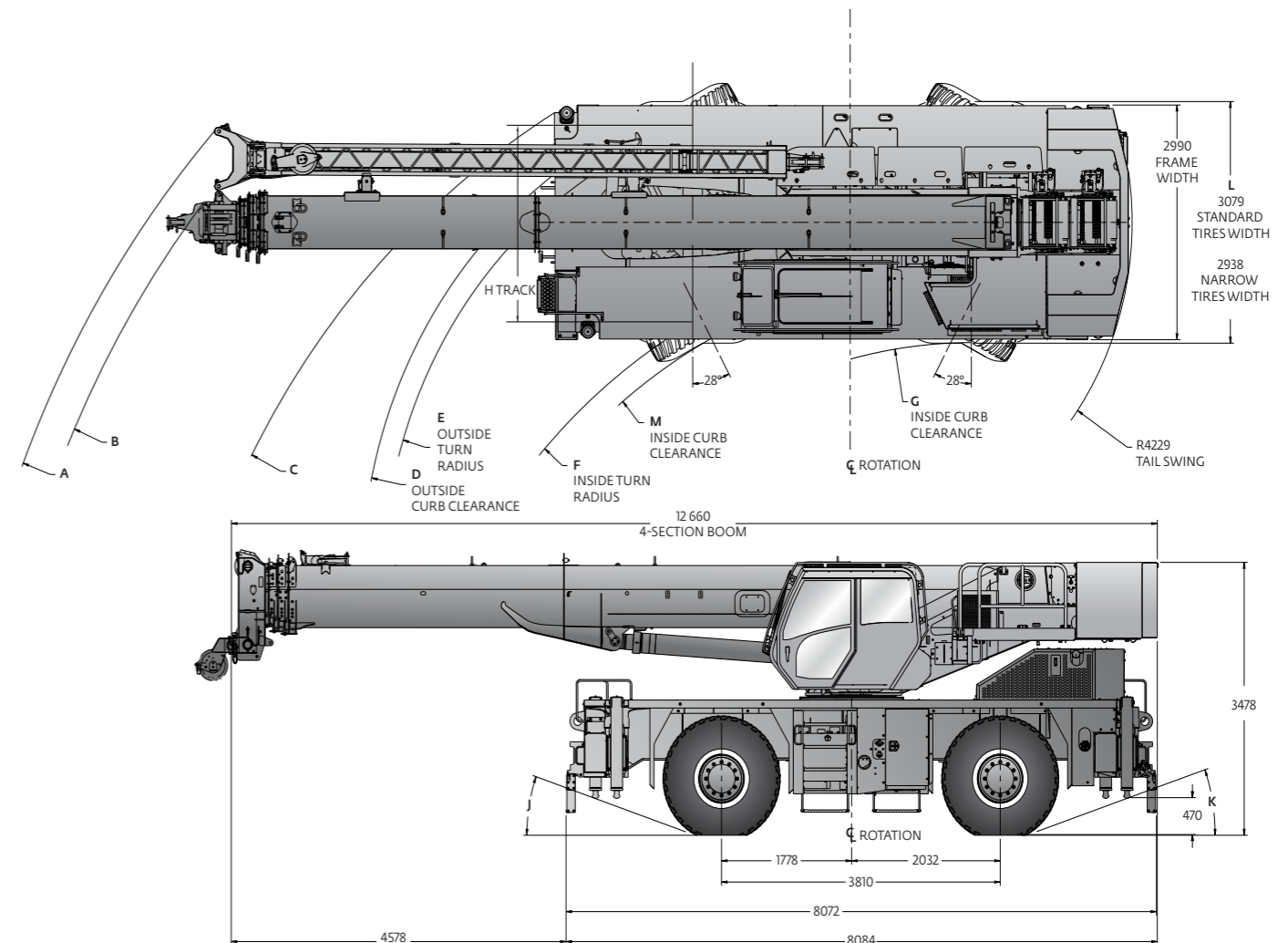
Notes • Notizen • Notes • Notas • Note • Notas • Примечания \_\_\_\_\_ 37

Standard tire size: 23,5 x 25,0												
Two-Wheel Steer	A	B	C	D	E	F	G	H	J	K	L	M
	13927 mm	13450 mm	11125 mm	10459 mm	10161 mm	7864 mm	6623 mm	2464 mm	25°	21°	3079 mm	7564 mm
Four-Wheel Steer	A	B	C	D	E	F	G	H	J	K	L	M
	10210 mm	9860 mm	7082 mm	6435 mm	6140 mm	3813 mm	3513 mm	2464 mm	25°	21°	3079 mm	3514 mm

Narrow tire size: 18,0 x 25,0												
Two-Wheel Steer	A	B	C	D	E	F	G	H	J	K	L	M
	13928 mm	13450 mm	11125 mm	10386 mm	10138 mm	7888 mm	6688 mm	2439 mm	19°	19°	2938 mm	7577 mm
Four-Wheel Steer	A	B	C	D	E	F	G	H	J	K	L	M
	10210 mm	9860 mm	7082 mm	6362 mm	6116 mm	3837 mm	3587 mm	2439 mm	19°	19°	2938 mm	3526 mm

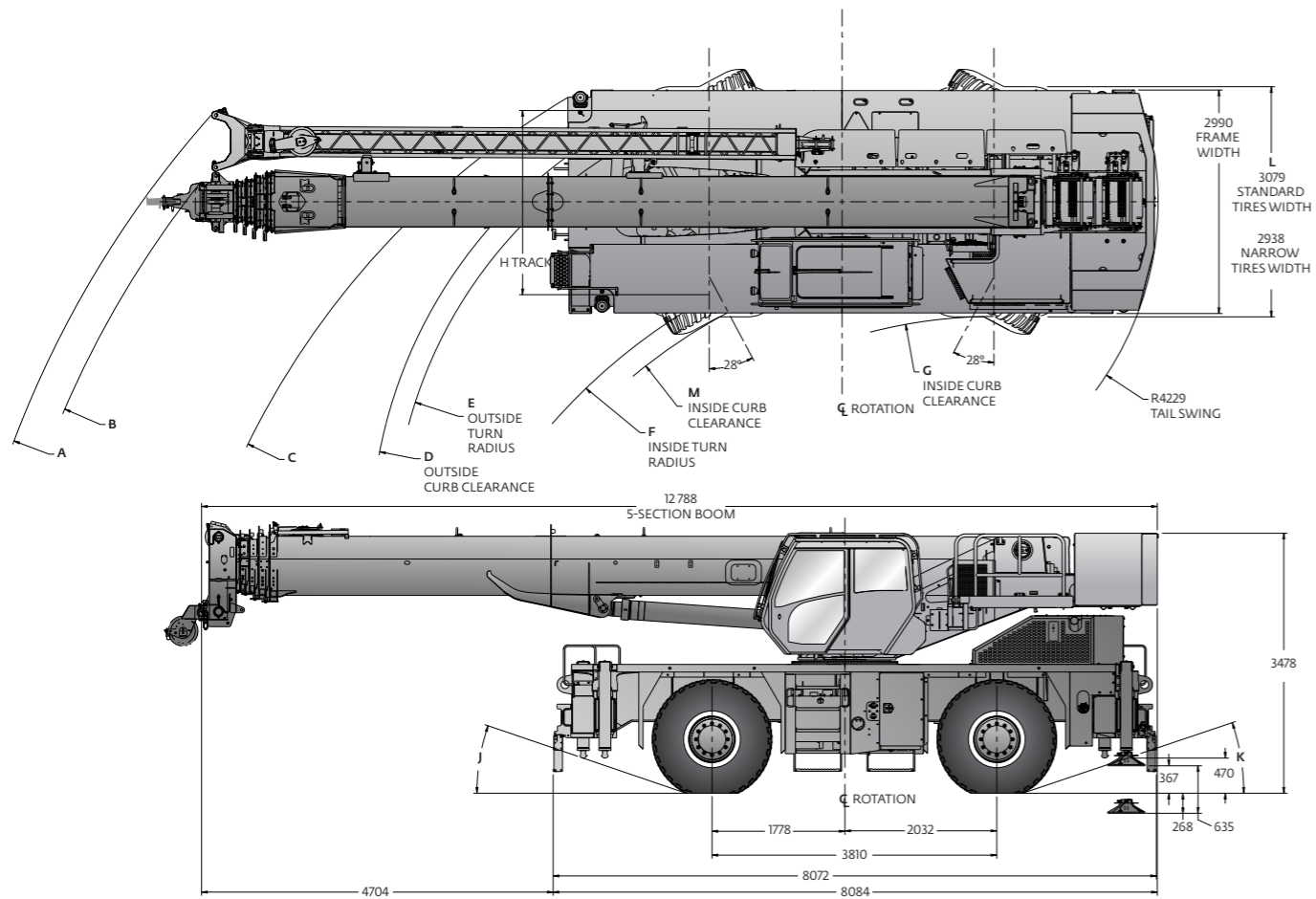
Dimensions in mm unless otherwise specified. • Sofern nicht anders festgelegt, verstehen sich die Abmessungen in mm. • Les cotes sont en mm sauf indication contraire. • Dimensiones en mm salvo que se indique lo contrario. • Dimensioni in mm se non diversamente specificato. • Dimensões em mm salvo indicação em contrário. • Размеры приведены в миллиметрах, если не указано иное.



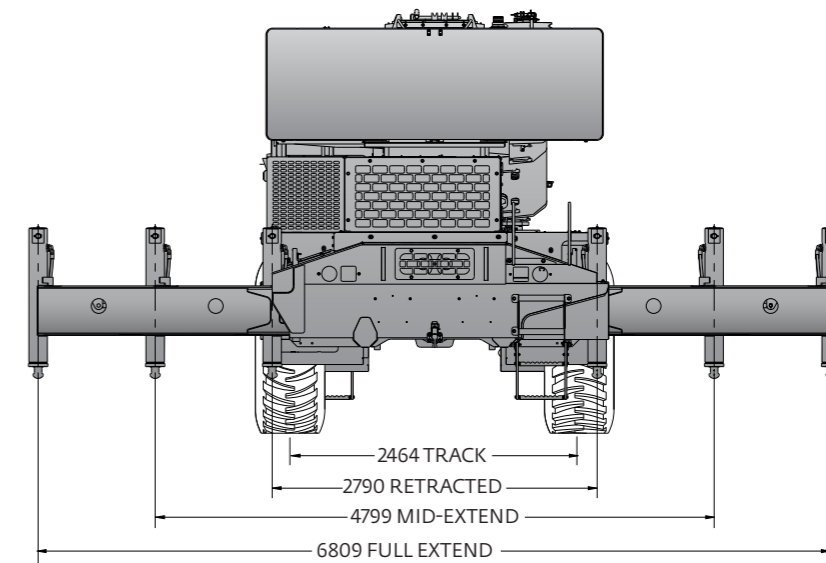
**GRT655L: Dimensions • Abmessungen • Encombrement**  
**Dimensiones • Dimensioni • Dimensões • Размеры**

Standard tire size: 23,5 x 25,0												
Two-Wheel Steer	A	B	C	D	E	F	G	H	J	K	L	M
	14017 mm	13548 mm	11125 mm	10459 mm	10161 mm	7864 mm	6623 mm	2464 mm	25°	21°	3079 mm	7564 mm
Four-Wheel Steer	A	B	C	D	E	F	G	H	J	K	L	M
	10309 mm	9969 mm	7082 mm	6435 mm	6140 mm	3813 mm	3513 mm	2464 mm	25°	21°	3079 mm	3514 mm
Narrow tire size: 18,0 x 25,0												
Two-Wheel Steer	A	B	C	D	E	F	G	H	J	K	L	M
	14017 mm	13548 mm	11125 mm	10386 mm	10138 mm	7888 mm	6688 mm	2439 mm	19°	19°	2938 mm	7577 mm
Four-Wheel Steer	A	B	C	D	E	F	G	H	J	K	L	M
	10309 mm	9969 mm	7082 mm	6362 mm	6116 mm	3837 mm	3587 mm	2439 mm	19°	19°	2938 mm	3526 mm

Dimensions in mm unless otherwise specified. • Sofern nicht anders festgelegt, verstehen sich die Abmessungen in mm. • Les cotes sont en mm sauf indication contraire. • Dimensiones en mm salvo que se indique lo contrario. • Dimensioni in mm se non diversamente specificato. • Dimensões em mm salvo indicação em contrário. • Размеры приведены в миллиметрах, если не указано иное.

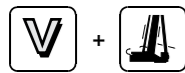


**GRT655/GRT655L: Dimensions • Abmessungen • Encombrement**  
**Dimensiones • Dimensioni • Dimensões • Размеры**



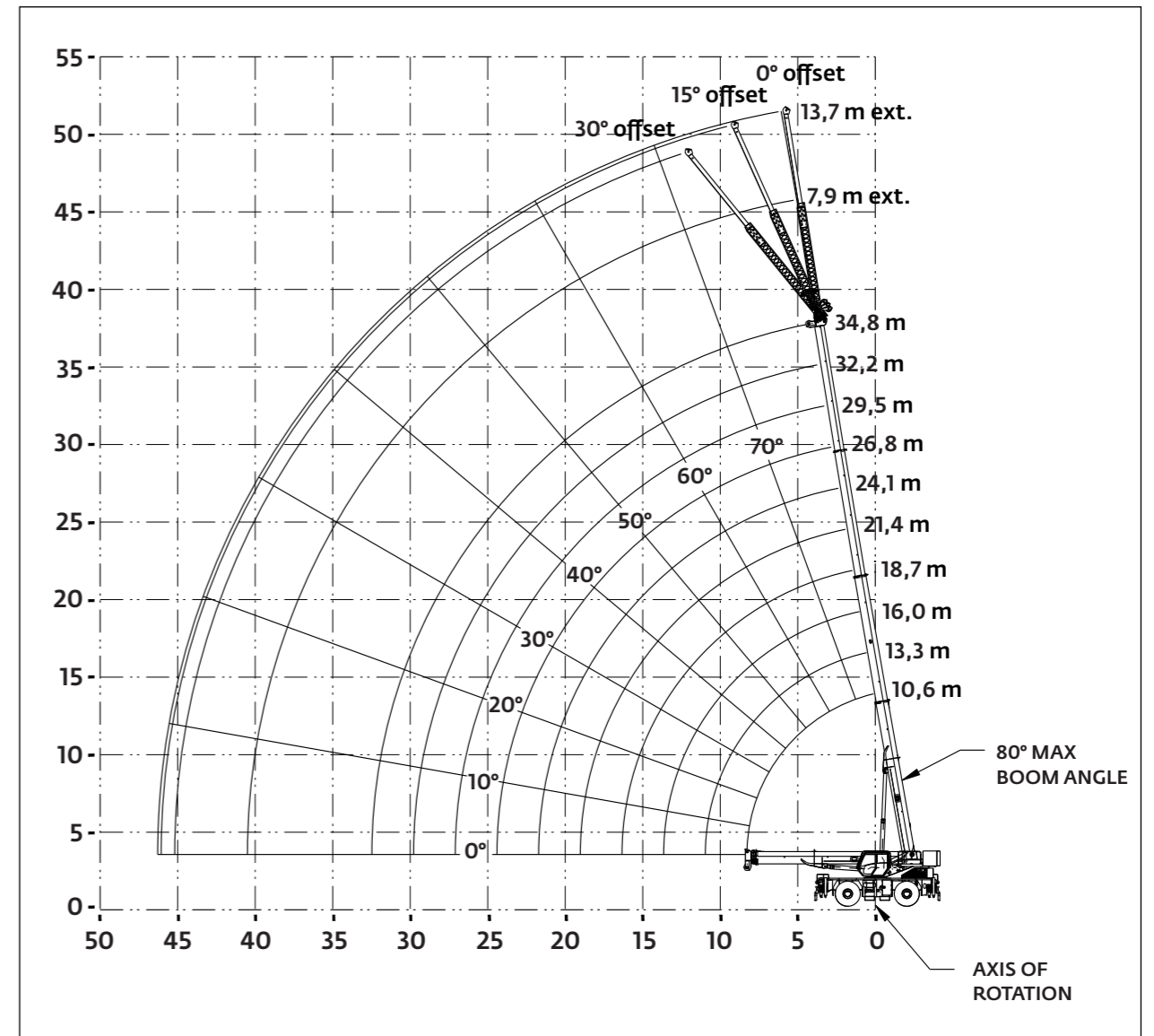


Lifting capacity Traglast Force de levage Capacidad de elevación Capacità di sollevamento Capacidade de elevação Грузоподъемность	Sheaves Rollen Pouliés Poleas Carrucole Roldanas Шкивы	Parts of line Stränge Brins Ramales de cable Numero di funi Partes de cabo Кратность запасовки	Total weight Gesamtgewicht Poids total Peso total Peso totale Peso total Суммарный вес
51 t	5	2 to 10	425 kg
35 t	3	2 to 7	380 kg
17 t	1	2	261 kg
6 t	H/B (swivel)	1	105 kg



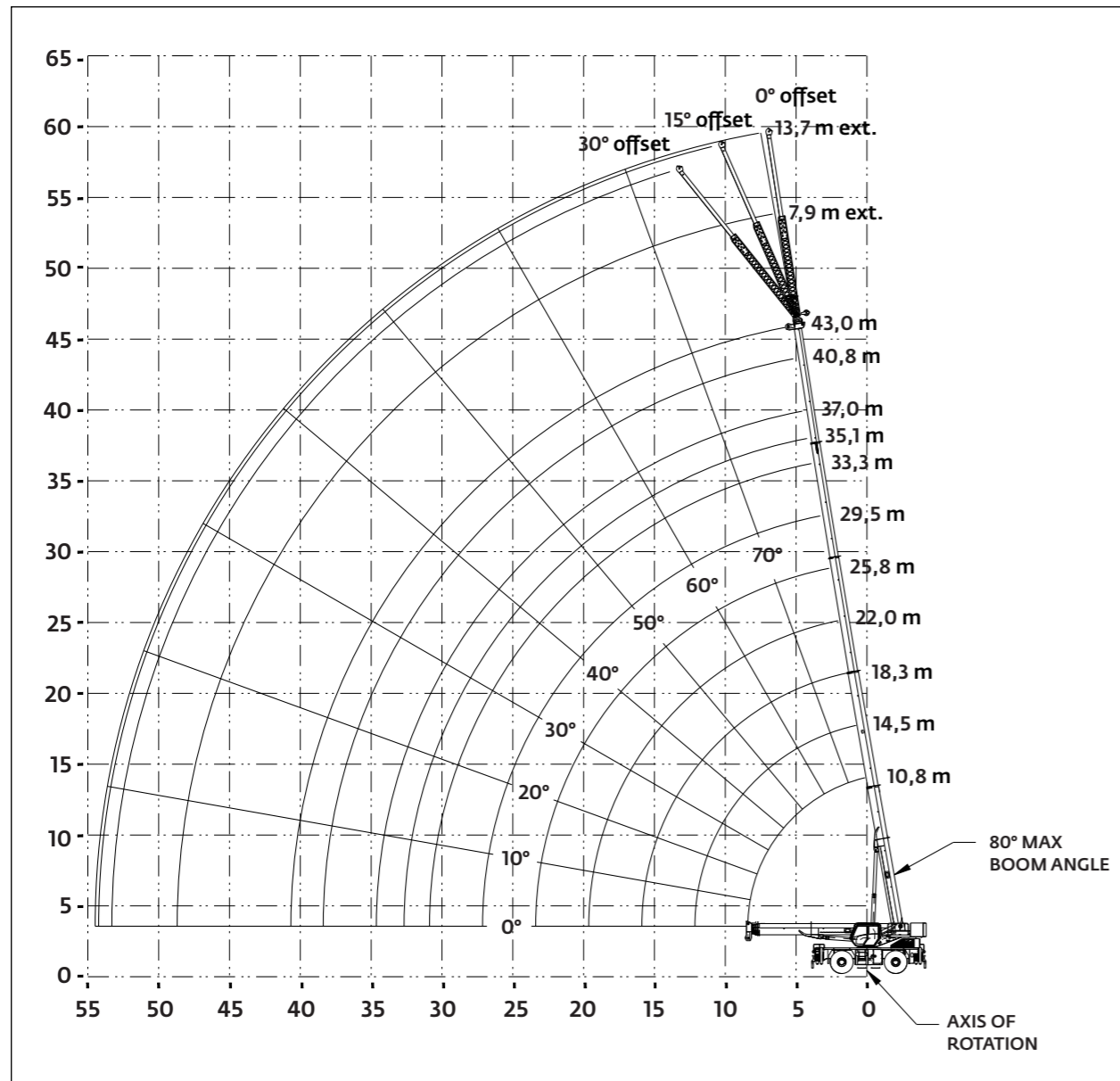
	Infinitely variable Stufenlos verstellbar Progressivement variable Infinitamente variable Infinitamente variabile Infinitamente variável Плавно-изменяемый	Rope Seil Câble Cable Fune Cabo Канат	Permissible line pull max. Max. Seilzug Effort maxi au brin Tiro admisible del cable Tiro diretto massimo Esforço max. admissível no cabo Максимально допустимое натяжение каната	Nominal cable length Seillänge (Nennwert) Longueur nominale des cables Longitud nominal del cable Lunghezza nominale cavo Comprimento nominal de cabo Номинальная длина каната	
	0 - 148 m/min	single line/bei einfachem Strang brin simple/ramal simple/ tiro a fune singola/cabo simples/Однократная запасовка	16 mm (35x7 WSC)	5552 kg	180 m
	0 - 148 m/min	single line/bei einfachem Strang brin simple/ramal simple/ tiro a fune singola/cabo simples/Однократная запасовка	16 mm (35x7 WSC)	5552 kg	180 m
	0 - 1,7				
	20° 70°	GRT655: approx. 22 s/ ca. 22 s/env. 22 s/ aproximadamente 22 s/circa 22 s/cerca de 22 s/примерно 22 с  GRT655L: approx. 24 s/ ca. 24 s/env. 24 s/ aproximadamente 24 s/circa 24 s/cerca de 24 s/примерно 24 с			
	10,6 to 34,8 m  10,8 to 43 m	GRT655/GRT655L: approx. 61 s out 120 s in/ etwa 61 s aus und 120 s ein/environ. 61 s en sortie et 120 s en entrée/ Aprox. 61s salida 120s entrada/circa. 61 s fuori 120 s dentro/aprox. saída 61 s e entrada 120 s/ выдвижение при бл. 61 с, убирание 120 с			

Working range • Arbeitsbereich • Rayon d'opération • Rango operativo  
Area di lavoro • Raio de operação • Грузовысотные характеристики



**GRT655L: Load charts • Traglasten • Capacités de levage • Capacidades Caracità • Diagramas de carga • Таблицы грузоподъемности**

Working range • Arbeitsbereich • Rayon d'opération • Rango operativo  
Area di lavoro • Raio de operação • Грузовысотные характеристики



**GRT655L: Load charts • Traglasten • Capacités de levage • Capacidades Caracità • Diagramas de carga • Таблицы грузоподъемности**

Telescopic boom • Teleskopausleger • Flèche principale • Pluma telescópica • Braccio telescopico  
Lança telescópica • Телескопическая стрела



m	10,8	14,5	18,3	22,0	25,8	29,5	33,3	37,0	40,8	43,0	m
2,0	60,000**										2,5
2,5	50,000										2,5
3,0	40,550	20,025	19,300	18,725							3,0
3,5	36,900	20,025	19,300	18,725							3,5
4,0	34,100	20,025	19,300	18,725							4,0
4,5	31,500	20,025	19,300	18,525	16,050						4,5
5,0	29,325	20,025	19,300	17,825	15,450	*12,800					5,0
6,0	25,125	20,025	19,125	16,325	14,375	11,825	*10,100				6,0
7,0	20,900	19,750	17,900	15,200	13,450	10,750	9,475	*8,095			7,0
8,0	12,825	18,550	16,850	14,225	12,600	10,000	8,875	7,865	*6,400		8,0
9,0		15,950	15,675	13,375	11,825	9,345	8,325	7,435	6,400	5,320	9,0
10,0		12,925	13,350	12,650	11,150	8,740	7,825	7,030	6,290	5,320	10,0
12,0		5,390	9,490	9,705	9,440	7,680	6,960	6,305	5,400	5,075	12,0
14,0			7,010	7,275	7,380	6,850	6,195	5,690	4,905	4,635	14,0
16,0				5,575	5,740	5,810	5,050	4,795	4,475	4,240	16,0
18,0				4,335	4,535	4,620	4,415	4,195	4,005	3,890	18,0
20,0					3,600	3,710	3,725	3,685	3,520	3,430	20,0
22,0					2,860	2,960	3,015	3,075	3,075	3,025	22,0
24,0						2,355	2,425	2,500	2,525	2,535	24,0
26,0						1,860	1,940	2,020	2,055	2,065	26,0
28,0							1,530	1,610	1,655	1,670	28,0
30,0							1,175	1,260	1,310	1,330	30,0
32,0								0,960	1,010	1,030	32,0
34,0									0,750	0,770	34,0
36,0									0,520	0,540	36,0



m	10,8	14,5	18,3	22,0	25,8	29,5	33,3	37,0	40,8	43,0	m
2,0	60,000**										2,5
2,5	51,000										2,5
3,0	40,550	20,025	19,300	18,725							3,0
3,5	36,900	20,025	19,300	18,725							3,5
4,0	34,100	20,025	19,300	18,725							4,0
4,5	31,500	20,025	19,300	18,725	18,000						4,5
5,0	29,325	20,025	19,300	18,650	17,550	*15,750					5,0
6,0	25,125	20,025	19,300	18,475	16,525	14,375	*12,675				6,0
7,0	20,900	19,750	19,250	17,250	15,350	13,250	11,850	*9,660			7,0
8,0	12,825	18,550	18,300	16,025	14,250	12,225	11,000	9,540	*8,210		8,0
9,0		15,975	16,175	15,000	13,300	11,300	10,225	9,230	8,210	7,120	9,0
10,0		14,025	14,275	13,950	12,500	10,525	9,450	8,725	7,890	7,120	10,0
12,0		5,390	10,375	10,575	10,800	9,230	7,900	7,575	7,105	6,725	12,0
14,0			7,765	8,005	8,200	7,950	6,660	6,410	6,210	6,040	14,0
16,0				6,230	6,425	6,485	5,690	5,465	5,285	5,205	16,0
18,0				4,915	5,135	5,195	4,890	4,685	4,540	4,465	18,0
20,0					4,130	4,215	4,235	4,055	3,910	3,840	20,0
22,0					3,335	3,435	3,515	3,515	3,385	3,315	22,0
24,0						2,795	2,865	2,945	2,930	2,865	24,0
26,0						2,265	2,350	2,430	2,460	2,475	26,0
28,0							1,915	2,000	2,040	2,060	28,0
30,0							1,540	1,625	1,680	1,700	30,0
32,0								1,305	1,350	1,395	32,0
34,0									1,075	1,120	34,0
36,0									0,830	0,875	36,0

\* This capacity is based on maximum boom angle. • Diese Kapazität beruht auf einem maximalen Auslegerwinkel. • Capacité basée sur un angle de flèche maximal. • Esta capacidad se basa en un ángulo de pluma máximo. • Questa capacità si basa sull'angolo max del braccio. • Esta capacidade baseia-se no ângulo máximo da lança. • Грузоподъемность при максимальном угле стрелы.

\*\* With special equipment. • Mit Sonderausrüstung. • Avec équipement spécial. • Con equipamiento especial. • Con equipaggiamento speciale. • Com equipamento especial. • Co специальным оборудованием.