

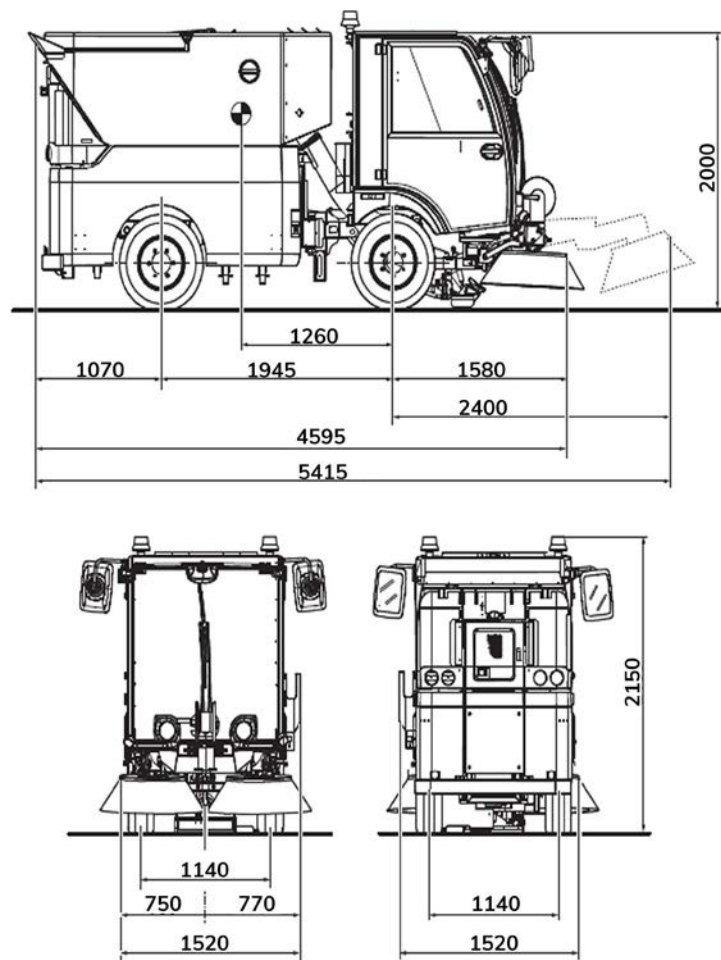


DULEVO
FAYAT GROUP



D.zero²
100% ELECTRIC

Ecological and innovative technology



TECHNICAL DATA		D.zero ²	D.zero ² Plus
Sweeping width			
- Minimum	mm		1750
- Maximum	mm		3200
- With third brush	mm	n.d.	3400
Grosse volume capacity	m ²		2.1
Dumping height	mm		1450
Maximum speed	Km/h		25
Cleaning performance	m ² /h	25.200	33.600
Seats in the cabin	n°		2
Battery	Ah/V	600 / 96	800 / 96