

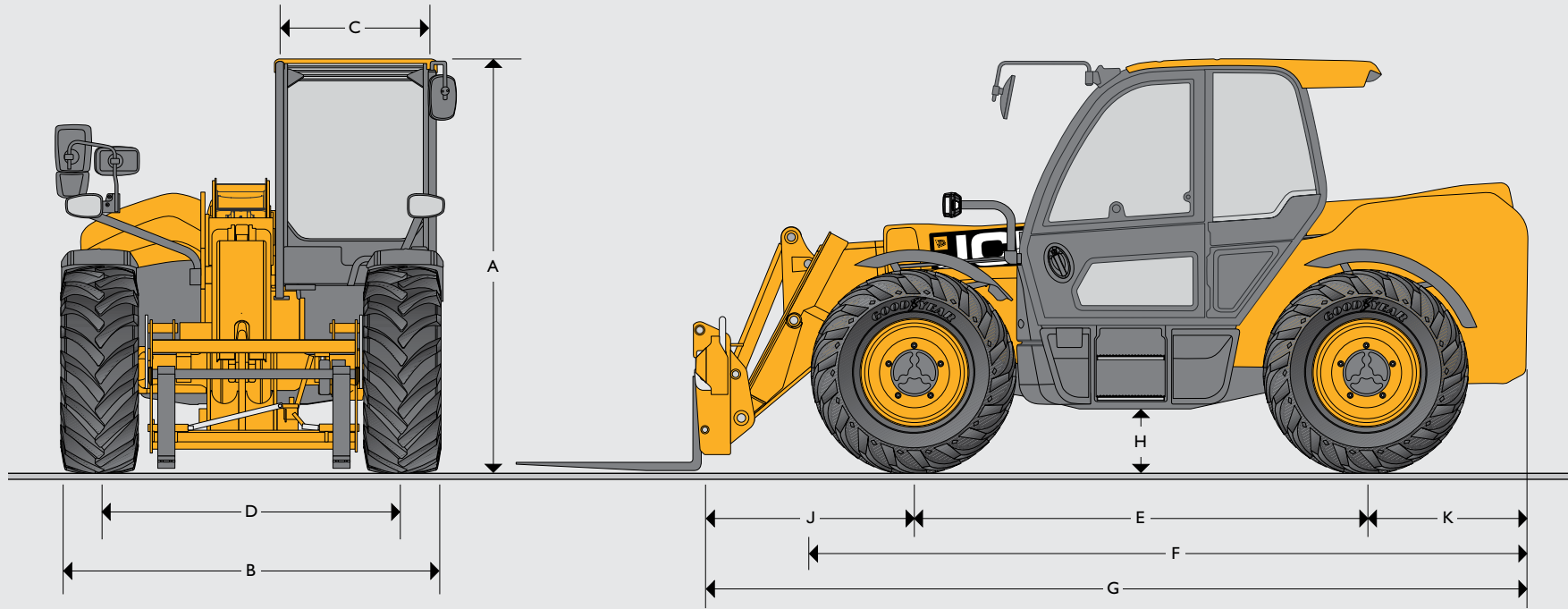
NEW



SERIES III – AGRI LOADALL | 538-60 | 536-95 | 542-70 | 560-80

Gross Power: 109-145 hp (81-108 kW) Lift Capacity: 7,500-12,000 lb (3,402-5,443 kg) Lift Height: 20-31 ft (6.1-9.5 m)





STATIC DIMENSIONS

Machine model		536-95	538-60	542-70	560-80
A Overall height	ft-in (m)	8-2 (2.59)	8-2 (2.59)	8-2 (2.59)	8-6 (2.59)
B Overall width (over tires)	ft-in (m)	7-8 (2.34)	7-6 (2.29)	7-8 (2.34)	8-4 (2.54)
C Inside width of cab	ft-in (m)	3-1 (0.94)	3-1 (0.94)	3-1 (0.94)	3-1 (0.94)
D Front track	ft-in (m)	6-2 (1.87)	5-11 (1.81)	5-11 (1.81)	6-6 (1.98)
E Wheelbase	ft-in (m)	9-0 (2.75)	9-0 (2.75)	9-0 (2.75)	9-0 (2.75)
F Overall length to front tires	ft-in (m)	14-4 (4.38)	13-3 (4.03)	14-4 (4.38)	14-6 (4.42)
G Overall length to front carriage	ft-in (m)	14-7 (4.5)	14-11 (4.6)	14-7 (4.5)	17-3 (5.27)
H Ground clearance	in (cm)	16 (400)	16 (400)	16 (400)	15 (375)
Outside turn radius (over tires)	ft-in (m)	12-2 (3.7)	12-2 (3.7)	12-2 (3.7)	13-5 (4.1)
Carriage roll back angle	degrees	47	42.6	42.6	47
Carriage dump angle	degrees	33	42.5	37.5	33
Weight	lb (kg)	19,312 (8,760)	16,667 (7,560)	18,298 (8,300)	23,755 (10,775)
Tires (Standard Size)		460/70R24	460/70R24	460/70R24	500/70R24

AGRI AGRIPLUS AGRISUPER

LIFT PERFORMANCE

Machine model		536-95	538-60	542-70	560-80
Maximum lift capacity	lb (kg)	7,500 (3,402)	8,000 (3,628)	9,000 (4,082)	12,000 (5,443)
Lift capacity to full height	lb (kg)	3,500 (1,587)	8,000 (3,628)	5,000 (2,268)	6,000 (2,727)
Lift capacity at full reach	lb (kg)	1,100 (500)	3,000 (1,360)	3,500 (1,587)	3,750 (1,700)
Lift height	ft-in (mm)	31-1 (9.47)	20-5 (6.22)	22-11 (7.0)	25-10 (7.87)
Reach at maximum lift height	in (mm)	95.7 (2,430)	34.3 (870)	18.9 (480)	36.3 (920)
Maximum forward reach (to front of carriage)	ft-in (mm)	21-10 (6.6)	11-3 (3.4)	12-7 (3.5)	15-0 (4.6)

*Load charts are graphic representations, please consult technical load charts for full details.

AGRI

AGRIPLUS

AGRISUPER

OPTIONS			
Drivetrain			
109hp / 81kW	●	–	–
125hp / 93kW	–	●	●
145hp / 108kW	–	–	○
Auto reversing fan	●	●	●
33kph Powershift (4-speed)	●	●	–
40kph Autoshift (6-speed), (incorporating TorqueLock in 5th and 6th gear)	–	–	●
Electrical 2/4WD disconnect	●	●	●
Limited slip differential in front axle	○	○	○

OPTIONS			
Smart Hydraulics			
Regenerative hydraulics for lower and retract (536-95 lower only)	●	●	●
End damping for lift and retract (536-95 lift only)	●	●	●
Quick auxiliary venting – internal and external	●	●	●
Bucket control system	●	●	●
Auto – Smooth Ride System	○	○	●
High flow double acting – auxiliary	○	○	○
Double acting – single front auxiliary	●	●	●
Double acting – single rear auxiliaries	○	○	○
Double acting – twin front auxiliaries	○	○	○
Double acting – twin rear auxiliaries	○	○	○
Sway: Electro-Hydraulically controlled chassis levelling (542-70)	–	○	–

OPTIONS			
Cab			
Mechanical suspension seat with cab-mounted control pod	●	●	–
Air suspension seat, with seat-mounted control pod	○	○	●
Heated air suspension seat with seat-mounted control pod	○	○	○
Half leather, heated and vented air suspension seat with seat-mounted control pod	–	–	○
Air conditioning	○	○	○
Auto temperature climate control, air conditioning	○	○	○
2-speed and intermittent wash/wipe	●	●	●
Heated screen – rear	●	●	●
Heated screen – front	○	○	○
External screen guard – front	○	○	○
External screen guard – front and roof	○	○	○

Standard ● Optional ○ Not applicable –

*Complies as a European type approved vehicle as a T1 tractor.

(Some options are territory dependant).

AGRI

AGRIPLUS

AGRISUPER

OPTIONS

Braking	AGRI	AGRIPLUS	AGRISUPER
Twin line hydraulic trailer brakes* with 7 pin electrics & E.B.S socket	○	○	○

OPTIONS

Lighting	AGRI	AGRIPLUS	AGRISUPER
Halogen worklights – 2x front cab, 2 rear cab, 2x boom, 1x hitch light & interior light	●	●	–
LED worklights – 2x front cab, 2 rear cab, 2x boom, 1x hitch light & interior light	○	○	●
360° LED worklight package – 2x front cab & 2x rear chassis	○	○	○
LED road light package – front and rear road lights number plate light	○	○	○

OPTIONS

Other	AGRI	AGRIPLUS	AGRISUPER
Hydraulic pick up tow hitch*	○	○	○
Ladder mounted tow hitch*	○	○	○
Boom ingress protection kit (7 & 8m only)	○	○	○
Remote centralised rear grease points (7 & 8m only)	○	○	○
Transmission belly guard kit	○	○	○

Standard ● Optional ○ Not applicable –

*Complies as a European type approved vehicle as a T1a tractor. (Some options are territory dependant).

ENGINE					
Model		538-60 AGRI PLUS, 536-95 AGRI PLUS, 542-70 AGRI PLUS	542-70 AGRI SUPER	560-80 AGRI SUPER	
Manufacturer		JCB	JCB	JCB	JCB
Displacement		4.4	4.4	4.4	4.8
No of Cylinders		4	4	4	4
Bore Size	in (mm)	4.1 (103)	4.1 (103)	4.1 (103)	4.2 (106)
Stroke	in (mm)	5.2 (132)	5.2 (132)	5.2 (132)	5.3 (135)
Aspiration		Turbocharged cooled	Turbocharged cooled	Turbocharged cooled	Turbocharged cooled
RPM Power @ 2200	hp (kW)	109 (81)	125 (93)	125 (93)	145 (108)
RPM Torque @ 1500	lb-ft (Nm)	381 (516)	407 (550)	413 (560)	413 (560)
After treatment		SCR - DEF	SCR - DEF	SCR - DEF	SCR - DEF

HYDRAULICS					
Model		538-60 AGRI/AGRI PLUS	536-95 AGRI PLUS	542-70 AGRI PLUS/ AGRI SUPER	560-80 AGRI SUPER
Operating system pressure	bar	3,771 (260)	3,495 (241)	3,771 (260)	3,771 (260)
Main hydraulics	l/min	37 (140)	37 (140)	37 (140)	37 (140)
Pump type		Variable Displacement			
Hydraulic cycle times					
Lift	seconds	5.7	5.6	5.0	7.4
Lower	seconds	5.7	6.3	5.2	8.3
Extend	seconds	5.9	9.4	6.7	8.3
Retract	seconds	4.8	10.0	5.0	5.9
Bucket dump	seconds	2.7	1.9	2.9	2.8
Bucket crowd	seconds	2.1	2.5	2.3	3.0
Total cycle time	seconds	22.1	33.1	21.9	29.9

SERVICE FILL CAPACITIES			
Model		538-60 AGRI, 538-60 AGRI PLUS, 536-95 AGRI PLUS, 542-70 AGRI PLUS, 542-70 AGRI SUPER, 560-80 AGRI SUPER	
Fuel Tank	gal (liters)	47 (169)	
Hydraulic Tank	gal (liters)	30 (112)	
DEF Tank	gal (liters)	5.5 (20.8)	

ELECTRICAL SYSTEM			
Model		538-60 AGRI, 538-60 AGRI PLUS, 536-95 AGRI PLUS, 542-70 AGRI PLUS, 542-70 AGRI SUPER, 560-80 AGRI SUPER	
System Voltage	Volt	12	
Alternator output	Amp hour	150	
Battery Capacity	Amp hour	180	

NOISE AND VIBRATION				
	Level	Uncertainty	Measurement conditions	
A-weighted emission sound pressure level at Operator's position (LpA)	dB(A)	69	+/- 1	Determined in accordance with the test method and calculations defined in EN 12053:2001
Exterior sound (Stationary)	dB(A)	73	+/- 1	Determined in accordance with the test method defined in 2015/96 (Annex III)
Exterior sound (Moving)	dB(A)	84	+/- 1	
Whole body vibration	m/s ²	1.03	50%	Determined in accordance with the test method defined in EN 13059 (Machine operating duty: Loader work (stone))
Hand-arm vibration	m/s ²	<2.5	N/A	Determined in accordance with the test method defined in ISO 5349-2: 2001

STANDARD MACHINE FEATURES		
Transmission	AGRI / AGRI Plus	<p>JCB Powershift transmission incorporating torque converter, bevel box and a 4 speed Powershift gearbox in one resiliently mounted unit.</p> <p>Operating modes: Manual gear shift incorporated onto the single lever joystick with 4 forward and 4 reverse Powershift gears.</p> <p>Travel speed: 21mph (33kph) (model dependant).</p> <p>Electrical 2/4 wheel drive disconnect.</p> <p>Switchable transmission disconnect on brake pedal.</p>
	AGRI Super	<p>JCB Autoshift transmission incorporating torque converter, bevel box and 6-speed powershift gearbox with TorqueLock in 5th and 6th gear in one resiliently mounted unit.</p> <p>Operating modes: Manual and Auto gear shifts incorporated onto the single lever joystick with 6 forward and 4 reverse Powershift gears.</p> <p>Travel speed 25mph (40kph).</p> <p>Electrical 2/4 wheel drive disconnect.</p> <p>Auto selection between 4th and 6th gear in Auto mode.</p> <p>Switchable transmission disconnect on brake pedal.</p>
Axles	AGRI / AGRI Plus / AGRI Super	<p>Front and rear drive: JCB epicyclic hub reduction drive/steer axles with Max-Trac torque proportioning differentials. (LSD option).</p> <p>When 2WD front axle drive.</p>
Brakes		<p>Service brakes: Hydraulically activated, self-adjusting, oil-immersed in-board high back-off multi-disc type on front axle. Hydraulically powered service brakes on all model variants.</p> <p>Parking brake: SAHR (Spring Applied Hydraulic Release) park brake.</p> <p>Trailer brakes: Twin line hydraulic trailer brakes and electronically controlled braking system (EBS).</p>
Steering		Hydrostatic power steering with power track rods on both axles, 3x steering modes: two wheel steer, four wheel steer, crab steer.

STANDARD MACHINE FEATURES (CONTINUED)	
Hydraulic controls	Single lever servo joystick, incorporating forward/neutral/reverse, with progressive extend/retract and auxiliary incorporating adjustable constant flow facility.
Boom and carriage	<p>Boom is manufactured from high tensile steel.</p> <p>JCB Q-fit self-levelling carriage with lever operated pin locking accepts pallet forks and a wide range of attachments.</p>
Deluxe cab - Series III	<p>Quiet, safe and comfortable cab conforms to ROPS ISO 3471 and FOPS ISO 3449.</p> <p>Tinted glass all round with laminated front and roof screen. Roof bars, front, rear and roof screen wash/wipe and heater/screen demister.</p> <p>Opening rear window.</p> <p>Single integrated front and roof screen blind.</p> <p>Audio-visual warning system for coolant temperature, water in fuel, engine oil pressure, air cleaner, battery charge, transmission oil temperature and pressure.</p> <p>Hourmeter and road speed indicator.</p> <p>Engine temperature, fuel gauge DEF gauge and clock.</p> <p>Radio ready kit.</p> <p>Adjustable steer column with stalk bar forward reverse shuttle.</p> <p>Automatic eye level audio-visual load moment indicator warning system receiving a signal from a load sensor on the rear axle. This system continuously monitors the machine's forward stability and leaves the operator in control at all times.</p>
Options and accessories	<p>A range of tyres for Traction, flotation, Agri-Industrial etc.</p> <p>Beacons.</p> <p>Bluetooth radio with integrated hands free microphone.</p> <p>Electro – hydraulic pin locking.</p> <p>Wheel nut torque indicators.</p> <p>Automatic air conditioning – climate control.</p> <p>Heated front windscreen.</p> <p>Undercarriage protection.</p> <p>Various carriage and bucket attachment options are available – contact your local dealer.</p>
Sway	Hydraulically controlled front axle leveling system on Plus models only. (542-70 models only)

Complies as a European type approved vehicle as a T1 tractor.
(Some options are territory dependant).