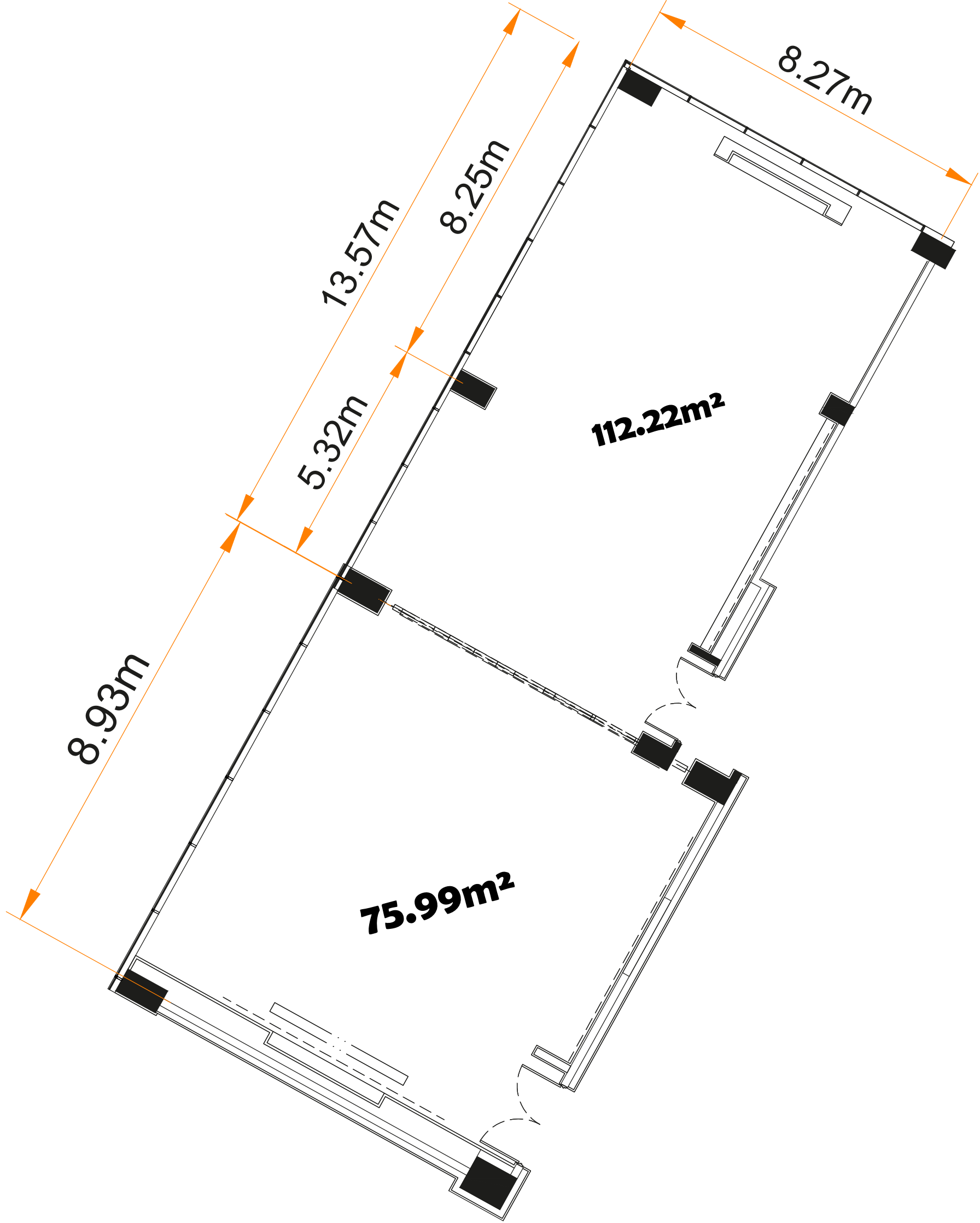


# Function Rooms Layout: Marina Hall



Mezzanine Floor