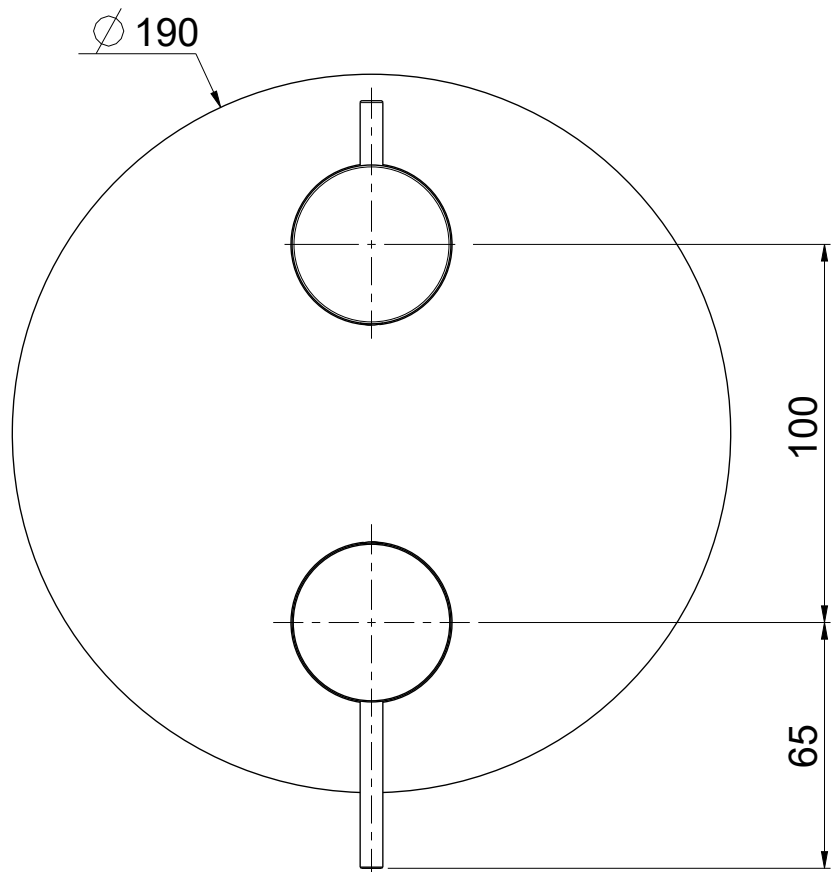
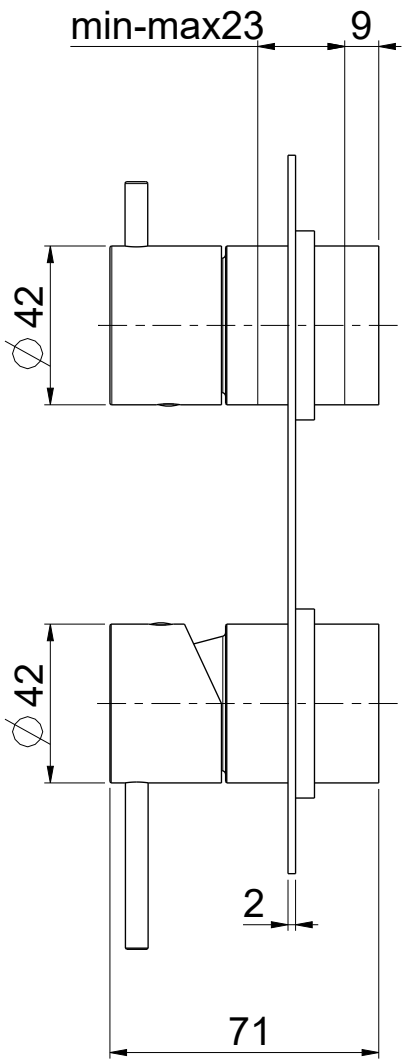
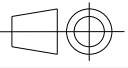


This drawing / specification is the property of OIOLI RubINETTERIE and must not be copied in part or whole without prior written permission of OIOLI RubINETTERIE.



OIOLI
 ITALY
 e-mail: tecnico@oioli.com
 Via Pul Stretta, 10/12 Tel. 0322 956338
 28024 Gozzano (No) Fax 0322 912094
 ITALY

DATE		SIGNATURE	PROJECT	SCALE	NOTE	
DRAFTSMAN				1:2	MADE IN ITALY	
DESCRIPTION						ITEM
PARTI ESTERNE INCASSO DOCCIA C/DEV. 3 VIE LIFE						LIED623RO