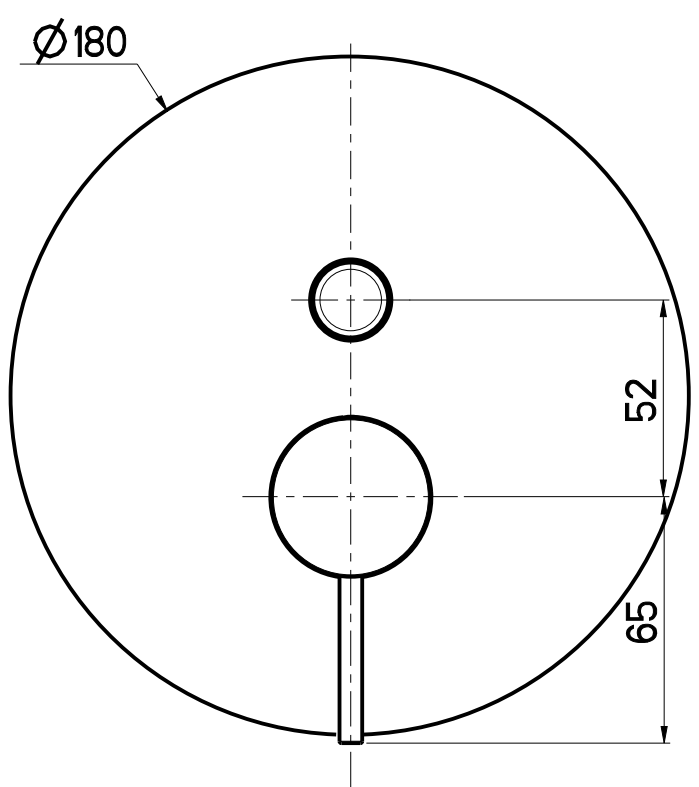
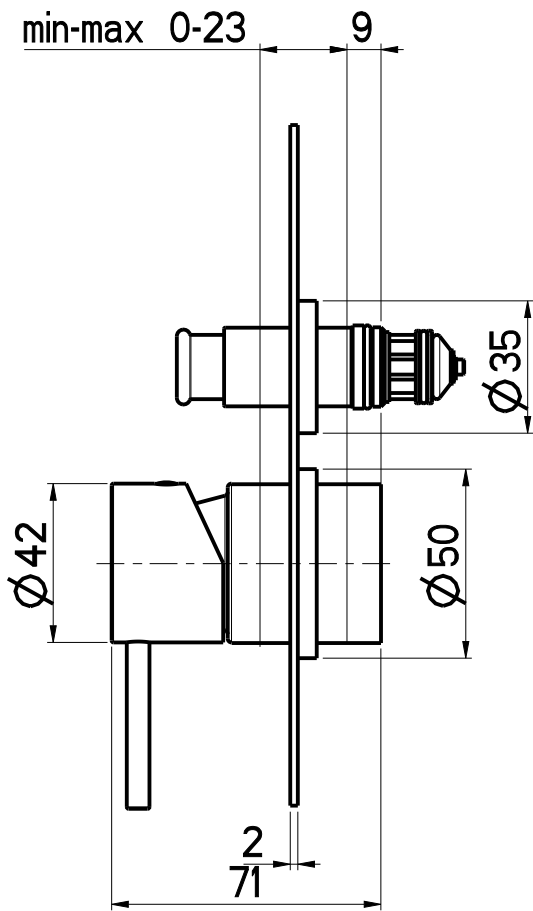


This drawing / specification is the property of OIOLI RubINETTERIE and must not be copied in part or whole without prior written permission of OIOLI RubINETTERIE.



**OIOLI**  
 ITALY  
 e-mail: tecnico@oioli.com  
 Via Pul Stretta, 10/12  
 28024 Gozzano (No)  
 ITALY  
 Tel. 0322 956338  
 Fax 0322 912094

DATE	SIGNATURE	PROJECT	SCALE	NOTE
DRAFTSMAN			1:2	MADE IN ITALY
DESCRIPTION				ITEM
PARTI ESTERNE INCASSO DOCCIA C/DEV LIFE				LIED621RO

