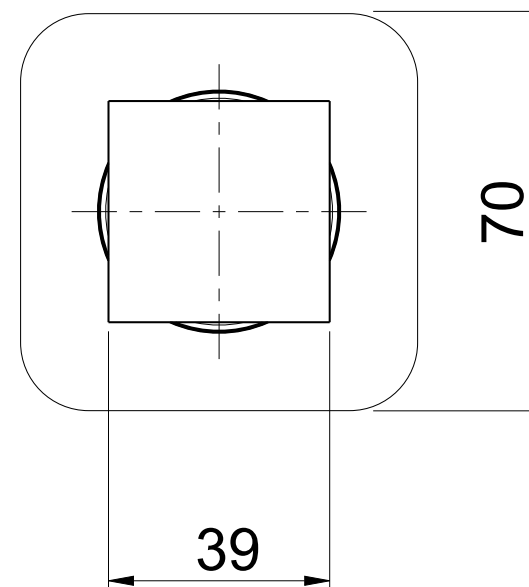
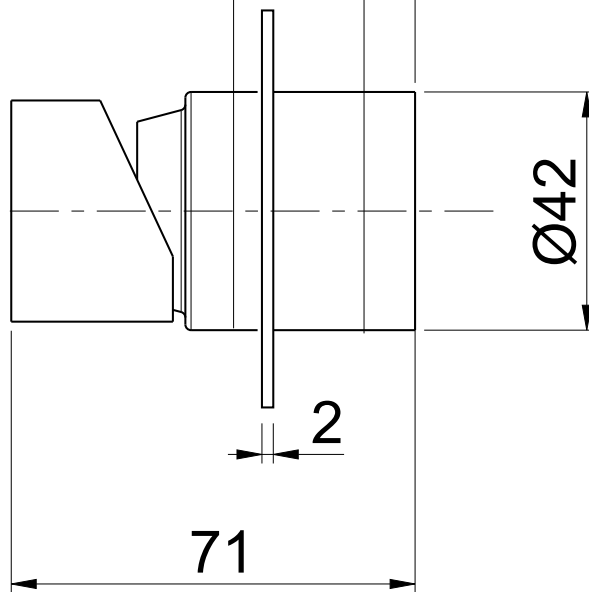


min-max 23  
(SB-10)

9  
(SB-15)



ITALY  
e-mail: tecnico@oioli.com  
Via Pul Stretta, 10/12 Tel. 0322 956338  
28024 Gozzano (No) Fax 0322 912094  
ITALY

DATE	21-03-2023	SIGNATURE	PROJECT	SCALE	NOTE	
DRAFTSMAN				3:4	MADE IN ITALY	
DESCRIPTION	PARTI ESTERNE MIX DOCCIA INCASSO FILING					ITEM
						FLED020RO