



Service-Information

Kondensation Wäschetrockner AWZ 8992

8575 899 10003

Letzte Änderung: 07.06.2008

Anlagedatum: 07.06.2008

Ersatzteilliste	2
Technische Daten	4
Explosionszeichnung	8
Anschlußplan	10
Stromlaufplan	11
Text /Legende	12

Die vorliegenden Serviceunterlagen sind ausschließlich für technisch qualifizierte Fachkräfte bestimmt, welche mit den entsprechenden einschlägigen Sicherheitsvorschriften vertraut sind.
Änderungen vorbehalten

Ersatzteilliste

Pos-Nr.	12NC	Beschreibung
004 0	4812 440 19718	Boden
011 0	4812 500 18054	Fuss
012 0	4812 528 78033	Rolle
012 1	4812 528 98003	Drehstift vorn + Rolle
012 2	4812 520 28068	Drehstift hinten
021 0	4812 440 10819	Front VBL GW
022 0	4812 440 10866	Seitenplatte GW
024 0	4812 440 19708	Rueckwand
030 0	4812 440 10868	Arbeitsplatte R2 VBL GW
033 0	4812 310 18582	Kit Abdeckung
034 0	4812 417 78015	Befestigung Arbeitsplatte
053 0	4812 440 89048	Klappe komplett GW
053 2	4812 417 28061	Schliesshebel Sockelleiste
053 3	4812 417 28089	Verschluss Sockelleiste GW
053 4	4812 440 89049	Sockelblende WH GW
065 1	4812 325 18009	Isolation Rückwand
065 4	4812 325 18008	Isolation Verkleidung
100 0	4812 440 10871	Tuer R2 VBL GW
131 1	4812 271 38463	Tuerverriegel. System GW
133 0	4812 417 28096	Haken GW
133 2	4812 417 28056	Verschluss Taschensieb
191 0	4812 466 68607	Tuerdichtung
204 0	4812 466 38014	Schutz Beruehrung
220 0	4812 418 18177	Trommel kpl. SS
223 0	4812 418 89017	Mitnehmer GW
261 0	4812 418 79821	Einschubgeh. f.Wasserbeh.
271 0	4812 358 18164	Riemen, Antrieb H7 CD RO
273 0	4812 358 18055	Spannrolle
275 0	4812 492 68129	Feder
291 0	4812 466 68561	Dichtung vorn
291 2	4812 466 68562	Dichtung hinten
301 0	4812 452 11761	Schalterleiste AWZ 8992
321 0	4812 452 12271	Einlage bed. AWZ 8992
321 1	4812 446 88127	Befestigung f. Einlage
331 0	4812 414 58201	Knopf Timer VBL WH GW
332 0	4812 276 18443	Taste VBL WH EL Start GW
332 1	4812 276 18442	Taste VBL WH EL Opt.GW
350 0	4812 214 78792	Anzeige Elektr.
401 0	4812 361 18291	Motor inkl. Luefterrad
401 1	4812 401 18421	Klemme Motor
401 2	4812 401 18229	Klemme Motor
420 0	4812 121 18144	Kondensator 10 mF
421 0	4812 121 18158	Entstoerfilter
430 0	4812 360 58212	Laugenpumpe kpl.
443 0	4812 361 18292	Geblaese Rad
443 1	4812 361 18293	Luefterrad Geblaese
443 2	4812 290 88066	Klemme Luefterrad
456 0	4812 310 18627	Heizelement Kit 2200W
490 0	4812 321 18044	Netzkabel o.Stecker 5m 4x1
490 0	4812 321 18042	Anschlusskabel 3m

Pos-Nr.	12NC	Beschreibung
490 1	4812 321 28367	Zugentlastung
492 1	4812 401 18195	Klammer f.Erdung
521 0	4812 214 78905	Steuerung (CB) CD WH(CA)
557 0	4812 282 08008	Thermostat Auslauf
557 1	4812 282 98005	Dichtung Thermostat
564 0	4812 259 28681	Thermostat Kit
631 0	4812 271 38396	Mikroschalter f. Pumpe/Riemen
631 1	4812 360 18476	Schwimmer
631 2	4812 360 58093	O-Ring Schwimmer
633 1	4812 276 18422	Stift Start Reset GW
692 0	4812 210 58035	Halterung Sensor GW
692 1	4812 278 58001	Sensor
707 9	4812 530 48165	Rohr Einlauf
740 0	4812 511 48243	Waermetauscher H4
741 0	4812 440 08003	Geblaese Kaltluft
741 1	4812 530 48244	Abdeckung Gebläsegehäuse
743 0	4812 530 48629	Luftführung ohne Loch GW
743 1	4812 530 48254	Heizkanal SS
743 3	4812 530 48239	Abdeckung Gebläse
743 4	4812 464 48122	Abdeckplatte
743 8	4812 466 88519	Dichtung f. Gebläse
750 0	4812 418 79823	Wasserbehälter Kondenswasser 4,3l
750 1	4812 530 28856	Wasserführung
751 1	4812 418 88044	Ablaufschacht
751 2	4812 401 18472	Klemme Ablaufschacht
751 3	4812 271 18014	Abdeckung Wasserweiche
761 0	4812 480 58322	Filter
781 0	4812 530 28243	Ablaufschlauch extern 1,5 m
783 0	4812 530 08003	Schlauch inflow
783 1	4812 530 08009	Schlauch reflow lang
783 2	4812 530 08001	Schlauch Pumpe
794 0	4812 466 88523	Dichtung Abluft, unten
794 1	4812 466 28108	Dichtung Heizungskanal
794 2	4812 466 98935	Dichtmanschette Heizungshalterung
794 3	4812 466 98937	Dichtmanschette
794 4	4812 466 88521	Dichtung Filter
900 1	4812 290 88053	Klammer
902 2	4812 256 38004	Halter Heizung
903 0	4812 532 28028	Clip Kabel
903 1	4812 401 18228	Befestigung
910 1	4812 502 48347	Blechschraube 3,5x14
910 5	4819 502 38265	Schraube VAB 4,5x20
910 8	4812 502 48348	Schraube ST 4,2x11
912 4	4812 502 48015	Schraube 4,0x16-TORX
922 0	4812 532 58005	Sicherungsring
922 1	4812 532 58007	Sicherungsring
950 1	4812 466 88517	Dichtung Wassertank
952 3	4812 466 88522	Dichtung Sensor
962 0	4812 466 38012	Schutz Motor

Technische Daten

Abmessungen + Gewicht

Abmessungen Gerät	
Höhe	85 cm
Breite	59.5 cm
Tiefe	60 cm
Gewicht	
Brutto	42 kg
Netto	40 kg

Umgebungstemperatur

Zimmertemperatur	5 °C - 35 °C
------------------------	--------------

Luftfeuchtigkeit (Aufstellort)

relative Luftfeuchtigkeit	
max.	95 %

Elektrische Basisdaten

Spannung	230 V
Frequenz	50 Hz
Sicherung	16 A
Gesamtanschlusswert	2.49 kW

Trommeldaten

Inhalt	112 l
Trommeldrehzahl	57 ± 2 rpm

Luftdurchsatz

Luftzirkulation	180 +10/ -30 m ³ /h
Kühlluft	200 +10/ -30 m ³ /h

Fassungsvermögen

Baumwolle	
max.	6 kg
Pflegeleicht	
max.	2.5 kg

Kondenswasserentleerung

Kondenswasserbehälter	3.8 l
-----------------------------	-------

Option direkt Abpumpen

2. Möglichkeit
Handelsüblicher Zulaufschlauch
Innendurchmesser 8 - 10 mm
Max. erlaubte Länge 2.5 m
Abpumphöhe max. 1.0 m
3. Möglichkeit
Ablaufschlauch
Bestell - Nr.: 4812 530 28243
Schlauchlänge 1.5 m

Elektrische Bauteile

- Heizung
Typ Aluminium
Nennspannung 230 +10%/ -15% V
Gesamtleistung 2200 W ± 5%
- Heizungswiderstand
Anschlusspunkte 21.5 - 24.6 Ω
- TD THERMOSTATS
Sicherheitsthermostat
(in heater) TL
Einschalttemperatur <-35 °C
Ausschalttemperatur 260 ± 10 °C
- Flusenthermostat
(in heater) TH 1.2
Einschalttemperatur 165 ± 10 °C
Ausschalttemperatur 210 ± 9 °C
Farbcode Green
- Abluftthermostat (im Luftkanal) TH 1.1 TH 1.1
Einschalttemperatur 68 ± 3 °C
Ausschalttemperatur 83 ± 3 °C

Elektronikmodul

- Omega
Typ OMEGA
Nennspannung 185 V - 256 V
Frequenz 47 - 63 Hz
- Nennstrom
Motor
max. ≤ 10 A
Heizung
max. ≤ 16 A
Trommelbeleuchtung
max. ≤ 1 A
Pumpe
max. ≤ 1 A
- Temperatur
Umgebungstemperatur 0 to 85 °C

Lagertemperatur-25 to 85 °C

Antriebs- und Gebläsemotor

Typ

1-Phasen Asynchronmotor

Nennspannung 230 +10%/ -15% V

Frequenz 50 ± 3 Hz

Anschlusswert 285 W ± 7%

Wicklungswiderstand

Hauptwicklung(2-3) 18.8 Ω ± 7%

Hilfsspule (3-4) 18 Ω ± 7%

Nennzahl bei 5 kg Wäsche und 70% Restfeuchte 2700 rpm

Kondensator 10 μ F ± 10%

Kondensatpumpe

Typ IMS 30.95635... 1-phase synchronous

Spannung 220 - 240+10%/ -15% V

Frequenz 50 Hz ± 0.5%

Widerstand (25 °C) 450 Ω ± 10%

Nennstrom 53 mA ± 10%

Strom bei blockierter Pumpe 140 mA ± 10%

Anschlusswert 14 ± Ω 2 W

Drehzahl 3000 rpm

Nennkapazität 2.6 ± 1.1 l/min

*height 1.1 m***Funkentstörfilter**

Typ ISKRA KPB 7325

Spannung max. 275 V

Nennkapazität 100 nF X1 + 2x22 nF Y2 + 1M Ω

Funkentstörfilter

Typ Eichhoff BV 16.250/119

Spannung max. 250 V

Nennkapazität 100 nF X1 + 2x15 nF Y2 + 1M Ω

Microschalter

..... (pump)

Typ Cherry D459 Single pole

Spannung 230 +10%/ -15% V

Frequenz 50/60 Hz

Strombelastbarkeit 16 A

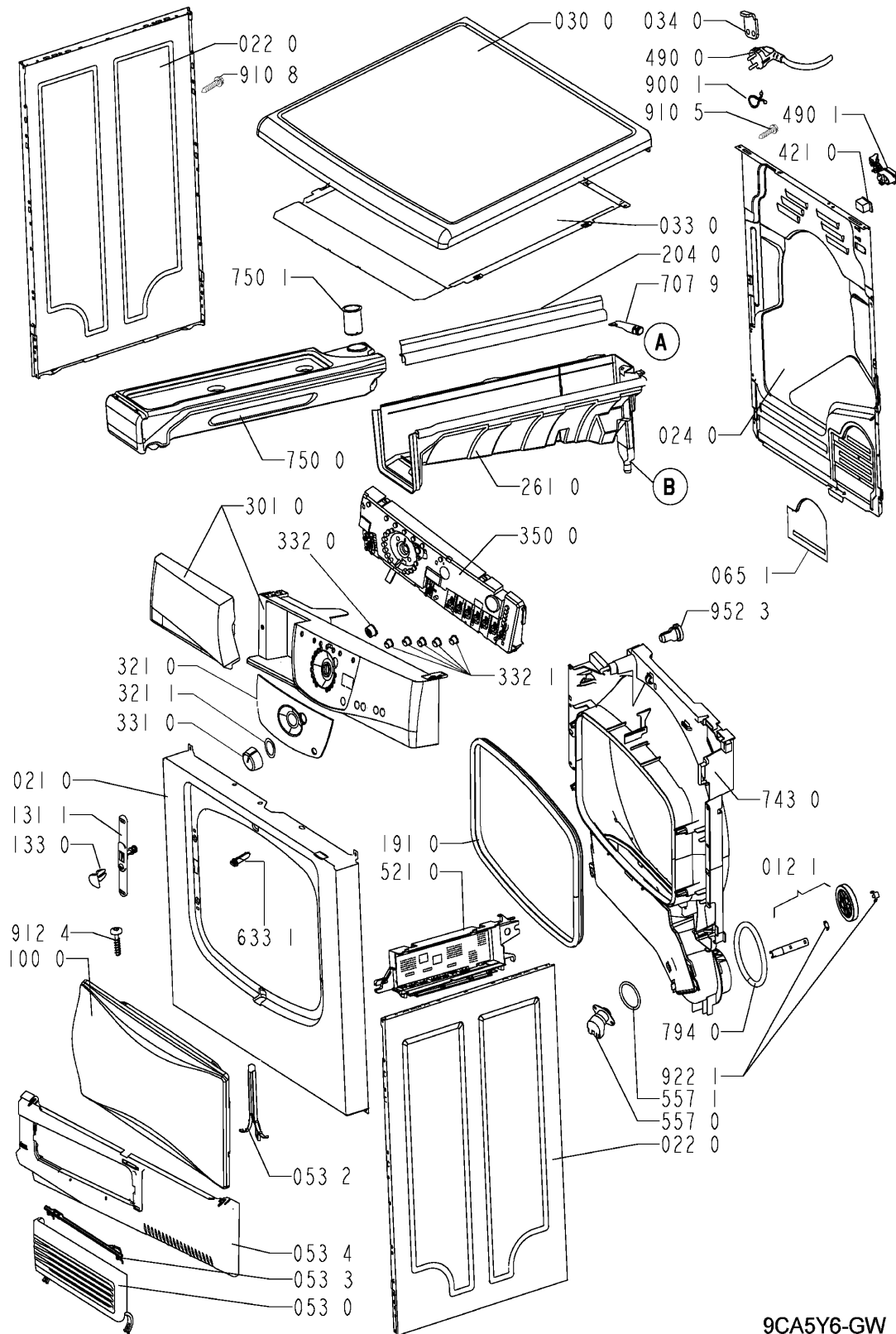
Anzeigen

Anzahl LEDs 26 + 2 digit display
Programmwahlschalter 12 positions integrated ON/OFF (stand-by)

Optionen

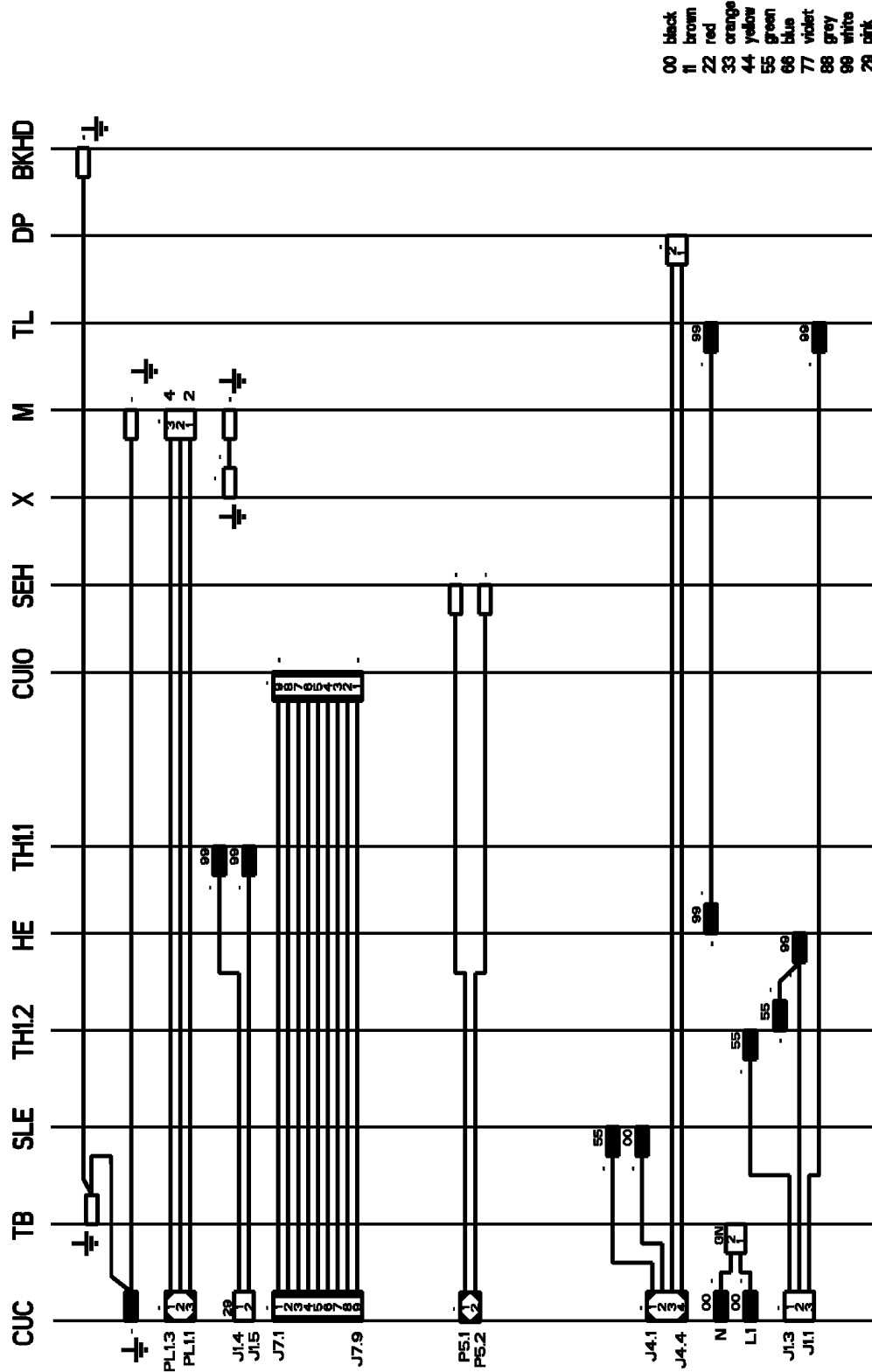
- Start / Pause
- Zeitvorwahl + Restzeitanzeige
- Schonen
- Summer
- Knitterschutz
- Rapid

Explosionszeichnung



9CA5Y6-GW

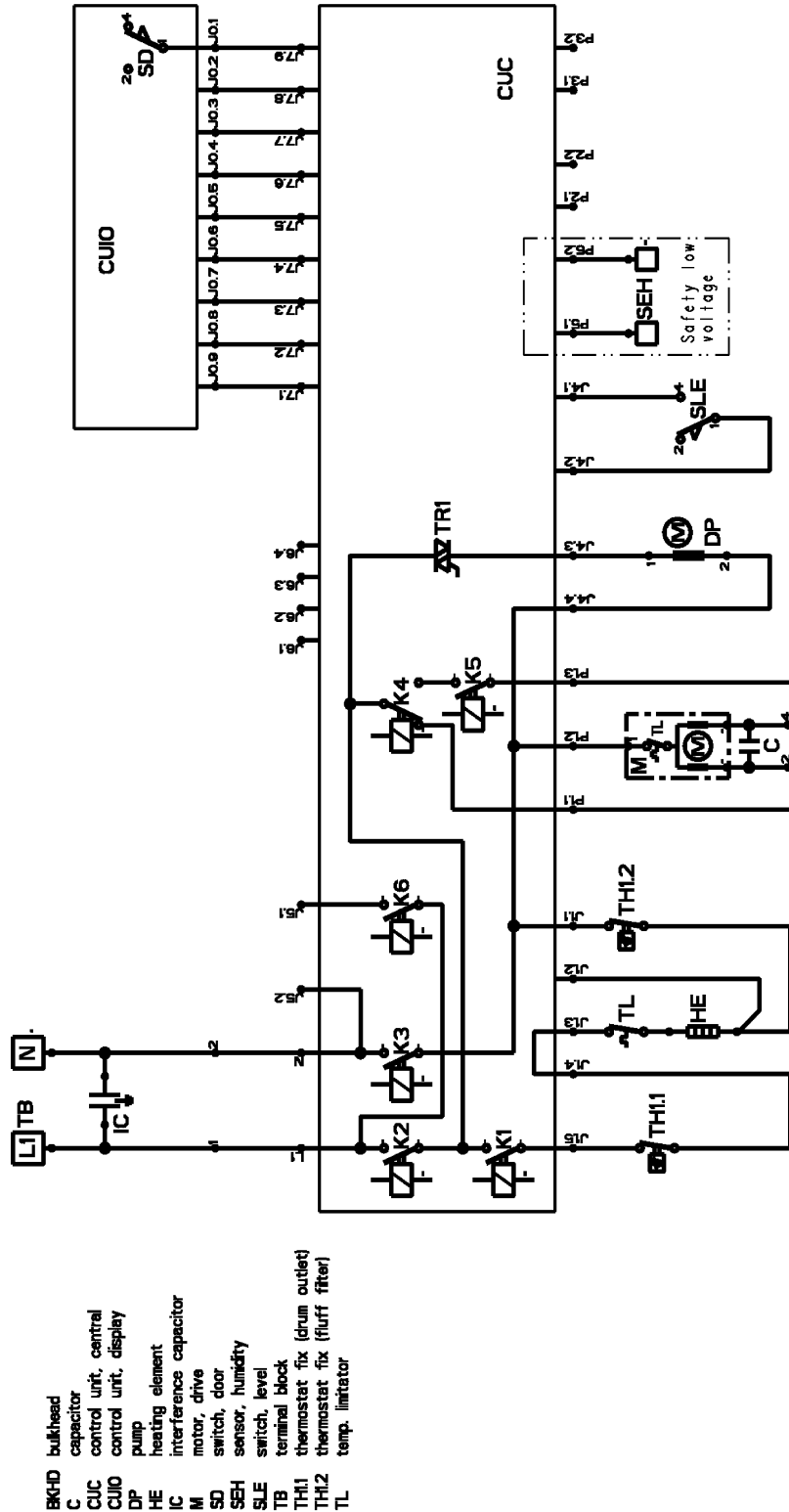
Anschlußplan



4619 732 00981

Stromlaufplan

1 2 3 4 5 6 7 8 9 10 11 12 13 14 15 16 17 18 19 20 21 22 23 24 25 26 27 28 29 30 31 32 33 34 35 36 37 38



4619 732 00981

Text /Legende

Program flow WH/BK AV (AIR VENTED DRYER)

Program Phase	Options influencing program phase	Motor movement	Heating Cycles					Humidity measurement	Duration	Conditions to go in the next phase
			Cotton	Easy Care	Shirt Fast Iron (Delicate)	Time Drying (Jet)	Airing			
Programming (Selection)	-	off	off	off	off	off	off	off	-	
Start Delay	-	rev-ac3	off	off	off	off	off	off	1...12h	push start switch AND door closed
Drying I	Gentle	rev-2	100%	100%	-	75%		on	RH=HT1 or t ₁	delay time over OR no delay selected
	Rapid	no rev	100%	-	-	-	-	on	RH=HT1 or t ₁	
	other options	rev-2	100%	100%	83%	100%	∩	on	RH=HT1 or t ₁	
Drying II	Gentle	rev-2	90%	90%	-	∩	-	on	RH=HT2 or timeout	HT 1 OR duration
	Rapid	no rev	100%	-	-	-	-	on	RH=HT2 or timeout	
	other options	rev-2	100%	100%	67%	∩	∩	on	RH=HT2 or timeout	
Drying III	Gentle	rev-2	75%	90%	-	∩	-	on	RH=HT3 or timeout	HT 2 OR timeout
	Rapid	no rev	100%	-	-	-	-	on	RH=HT3 or timeout	
	other options	rev-2	90%	100%	67%	∩	∩	on	RH=HT3 or timeout	
Drying IV	Gentle	rev-2	75%	75%	-	75%	-	on	RH=target or timeout	HT 3 OR timeout
	Rapid	no rev	75%	-	-	-	-	on	RH=target or timeout	
	other options	rev-2	75%	75%	67%	90%	∩	on	RH=target or timeout	
Cool Down	-	rev-2	off	off	off	off	off	off	t _{cd}	selected humidity OR timeout
Anticrease 1	-	rev-ac1	off	off	off	off	off	off	t _{ac1}	duration
Anticrease 2	ACX	rev-ac2	off	off	off	off	off	off	t _{ac2.1}	duration
		rev-ac3	off	off	off	off	off	off	t _{ac2.2}	
Drying End	-	off	off	off	off	off	off	off		duration OR no ACX selected

Humidity Targets	
HT1	RH=22 %
HT2	RH=22 %
HT3	RH=15 %
selected humidity	RH= selected program target

Reversing type	off (sec)	cw (sec)	off (sec)	ecw (sec)
rev-2	2	80	2	6
rev-ac1	2	80	2	6
rev-ac2	344	10	344	10
rev-ac3	704	10	704	10
no rev	0	90	0	0

Duration	
t ₁	40 min Cotton / 20 min Easy Care & Shirt
timeout	60 min / 40 min Shirt
t _{cd}	6 min / 10 min (Jet)
t _{ac1}	60 min
t _{ac2.1}	2 h
t _{ac2.2}	10 h

Heater cycles	Heater on	Heater off
100%	90 sec	0 sec
90%	81 sec	9 sec
83%	74 sec	16 sec
75%	68 sec	22 sec
67%	60 sec	30 sec

WH = Whirlpool, BK = Bauknecht, CD = Condense Dryer, AV = Airvented,
WCT = Water Container Top, WCB = Water Container Bottom

4619 712 57772

Text /Legende

Program flow WH/BK CD (CONDENSE DRYER) WCT and WH CD WCB

Program Phase	Options influencing program phase	Motor movement	Heating Cycles						Humidity measurement	Duration	Conditions to go in the next phase
			Cotton	Easy Care	Shirt Fast Iron (Delicate)	Time Drying (Jet)	Airing				
Programming (Selection)	-	off	off	off	off	off	off	off	-		
Start Delay	-	rev-ac3	off	off	off	off	off	off	1...9h	push start switch AND door closed	
Drying I	Gentle	rev-2	100%	100%	-	78%		on	RH=HT1 or t ₁	delay time over OR no delay selected	
	Rapid	no rev	100%	-	-	-	-	on	RH=HT1 or t ₁		
	other options	rev-2	100%	100%	83%	100%	↓	↓	on	RH=HT1 or t ₁	
Drying II	Gentle	rev-2	90%	90%	-	↓	-	on	RH=HT2 or timeout	WH CD HT 1 OR duration	
	Rapid	no rev	100%	-	-	-	-	on	RH=HT2 or timeout		
	other options	rev-2	100%	90%	67%	↓	↓	on	RH=HT2 or timeout		
Drying III	Gentle	rev-2	78%	78%	-	↓	-	on	RH=HT3 or timeout	WH CD HT 2 OR timeout	
	Rapid	no rev	100%	-	-	-	-	on	RH=HT3 or timeout		
	other options	rev-2	90%	83%	67%	↓	↓	on	RH=HT3 or timeout		
Drying IV	Gentle	rev-2	67%	67%	-	78%	-	on	RH=target or timeout	WH CD HT 3 OR timeout	
	Rapid	no rev	78%	-	-	-	-	on	RH=target or timeout		
	other options	rev-2	78%	83%	67%	90%	↓	on	RH=target or timeout		
Cool Down	-	rev-2	off	off	off	off	off	off	t _{cd}	selected humidity OR timeout	
Anticrease 1	-	rev-ac1	off	off	off	off	off	off	t _{ac1}	duration	
Anticrease 2	ACX	rev-ac2	off	off	off	off	off	off	t _{ac2.1}	duration	
		rev-ac3	off	off	off	off	off	off	t _{ac2.2}	duration OR no ACX selected	
Drying End	-	off	off	off	off	off	off	off			

Humidity Targets	
HT1	RH=22 %
HT2	RH=22 %
HT3	RH=15 %
selected humidity	RH= selected program target

Reversing type	off (sec)	cw (sec)	off (sec)	ccw (sec)
rev-2	2	80	2	6
rev-ac1	2	80	2	6
rev-ac2	344	10	344	10
rev-ac3	704	10	704	10
no rev	0	90	0	0

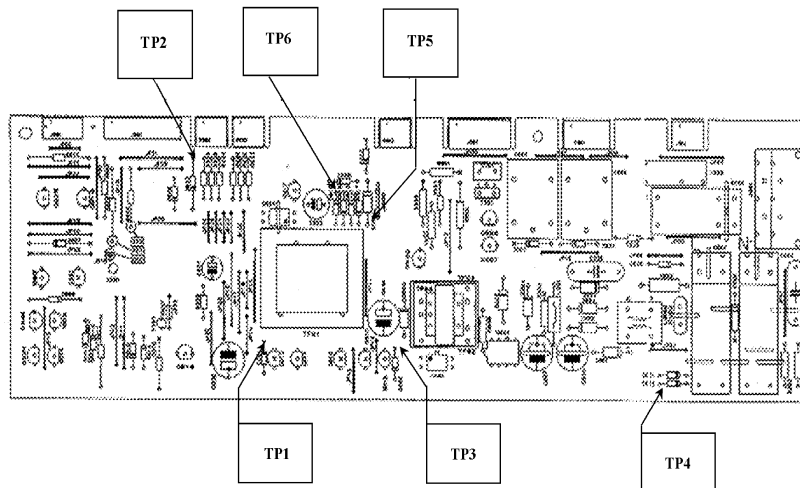
Duration	
t ₁	40 min Cotton / 20 min Easy Care & Shirt
timeout	60 min / 40 min Shirt
t _{cd}	12 min / 10 min (Jet)
t _{ac1}	60 min
t _{ac2.1}	2 h
t _{ac2.2}	10 h

Heater cycles	Heater on	Heater off
100%	180 sec	0 sec
90%	162 sec	18 sec
83%	150 sec	30 sec
78%	140 sec	40 sec
67%	120 sec	60 sec

4619 712 57772

Text /Legende**Testpoints at central board**

WH/BK AV, WH/BK WCT and WH WCB

**Test-Voltages:**

TP1 (at DZ01, cathode)	Vcc
TP2 (at D017, anode)	-5 V (+/-10%) to Vcc, if User Interface switched on -0,2 V to Vcc, if User Interface switched off
TP3 (at DZ03, anode)	-12 V (+/-10%) to Vcc
TP4 (at D022, anode)	-12 V if door switch closed -1,8 V if door switch open
TP5 (at DZ02, anode)	GND
TP6 (at D015, cathode)	-24 V (+/-10%) to GND, if door closed and drying program started

WH = Whirlpool, BK = Bauknecht, CD = Condense Dryer, AV = Airvented,
WCT = Water Container Top, WCB = Water Container Bottom

4619 712 57772

Text /Legende

Test programs

The TEST MODE delivers the possibility to check several functions of the dryer independently of the normal drying programs.

Entering the Test Mode

- a) Close door of the dryer or block door switch
- b) Rotate program selector to position „Airing“
- c) Press and release option button **OPT1** („Gentle“) three times within 5 sec. (If accidentally the button is pushed more than three times, this will have no negative impact. The test mode will start in step.1 anyway)

If the sequence a) - c) is correct: => Test Mode basic signal is displayed (see Test mode display) and Step 1 of test program is executed.

To advance to the other steps sequentially push „Start“ button.

Leaving the Test Mode

The TEST MODE is terminated by:

- Interrupt of the mains supply for a minimum time of 60 sec.
OR
- Open door
OR
- Turn rotary selector
OR
- Last step of test program is reached and Start button is pushed once more

Test mode display

When testmode is entered:

LED group:		Behaviour:
Program sequence LEDs (on all display modules)	BK: PS2...PS8	Indication of test step acc. table ‚indication‘
	WH: PS2...PS5	
Display Remain Time(3 digits) (optional)	BK: DIGITS1	Indication of test step acc. table ‚indication‘
	WH: DIGITS2	
Program LEDs (on all display modules BK)	BK: PRG2...PRG14	Indication acc. table ‚indication‘
	WH: not available	
Buzzer (on all display modules)		Beeps when button OPT1 („Gentle“) is pushed
Dryness Level Adjustment Display (2 digits)/ LED bar	BK: DIGITS2 / LEV0...LEV2	Indication acc. table ‚indication‘
	WH: not available	

4619 712 57772

Text /Legende

Indication

Indicator	Test Program Step									
	Step 1>>	Step2>>	Step3>>	Step4>>	Step5>>	Step6>>	Step7>>	Step8>>	Step9	
Program LEDs	all ON	OFF	OFF	OFF	OFF	OFF	OFF	OFF	OFF	
Program Sequence	LED Drying (BK) / Overdry Protection (WH)	ON	OFF	OFF	OFF	ON	ON	ON	ON	last error code
	LED Cool Down (BK) / Drying (WH)	ON	ON	OFF	OFF	ON	OFF	OFF	ON	
	LED End (WH+BK)	ON	OFF	ON	OFF	OFF	ON	OFF	ON	
	LED Antcrease (WH+BK)	ON	OFF	OFF	ON	OFF	OFF	ON	OFF	
	LED Iron Dry *	ON	OFF	OFF	OFF	OFF	OFF	OFF	OFF	
	LED Cupboard Dry *	ON	OFF	OFF	OFF	OFF	OFF	OFF	OFF	
	LED Extra Dry* *only BK	ON	OFF	OFF	OFF	OFF	OFF	OFF	OFF	
7 segment display Remain Time (3 digits) optional	.8:88	.2	.3	.4	.5	.6	.7	.8	last error	
Dryness Level 7 segment display (2 digits)	,-8	OFF	OFF	OFF	OFF	OFF	OFF	OFF	OFF	
Dryness Level LED bar	all ON	OFF	OFF	OFF	OFF	OFF	OFF	OFF	OFF	

Option LEDs and Failure LEDs see description of test steps.

After sales service test program

The test program works sequentially, that means the change from one program step to the next has to be done only by request of pushing the „Start“ button!

Test Program Step No.	Test/Tested Component	Description	
Step1	Factory Test Program 1	Motor: ON, short reversing rev-x Heating Element: ON, cycle heat-x Display and Button Test: ON Humidity Input Test: OFF Pump and Float Switch Test: ON Heater Wiring Test: ON Fluff Detection Test: ON	Test Mode is entered
Step2	Factory Test Program 2	Motor: ON, cycle rev-y Heating Element: ON, cycle heat-y Display and Button Test: OFF Pump and Float Switch Test: ON Heater Wiring Test: ON Fluff Detection Test: ON	Push start button
Step3	Humidity Input	Description see below Pump and Float Switch Test: ON	Push start button
Step4	Motor CCW	Motor: ON, ccw Heating Element: OFF	Push start button
Step5	Motor CW	Motor: ON, cw Heating Element: OFF	Push start button
Step6	Heating Element Full Power	Heating Element: ON, 100% Motor: ON, cw	Push start button
Step7	Heating Element Reduced Power	Heating Element: ON, 78% Motor: ON, cw	Push start button
Step8	Humidity Input	Description see below	Push start button
Step9	Display last failure/error code	Last error/failure code is displayed	Push start button
EXIT	Leave Test Mode		Push start button

4619 712 57772

Text /Legende

Heating and Reversing Cycle for Factory Test Program 1 (Step1):

Brand	Type	Heating Element heat-x		Motor rev-x			
		Heater ON	Heater OFF	CW ON	OFF	CCW ON	OFF
WH	CD 1900 W	12 sec.	0 sec.	5 sec.	2 sec.	3 sec.	2 sec.
	CD 2200 W	12 sec.	0 sec.	3 sec.	2 sec.	5 sec.	2 sec.
	AV 2050 W	14 sec.	0 sec.	4 sec.	2 sec.	6 sec.	2 sec.
	AV 2500 W	14 sec.	0 sec.	6 sec.	2 sec.	4 sec.	2 sec.
BK	CD 1900 W	12 sec.	0 sec.	3 sec.	2 sec.	5 sec.	2 sec.
	CD 2200 W	12 sec.	0 sec.	5 sec.	2 sec.	3 sec.	2 sec.
	AV 2050 W	14 sec.	0 sec.	6 sec.	2 sec.	4 sec.	2 sec.
	AV 2500 W	14 sec.	0 sec.	4 sec.	2 sec.	6 sec.	2 sec.

Heating and Reversing Cycle for Factory Test Program 2 (Step2):

Brand	Type	Heating Element heat-y		Motor rev-y			
		Heater ON	Heater OFF	CW ON	OFF	CCW ON	OFF
WH	Condenser	19 sec.	0 sec.	10 sec.	2 sec.	5 sec.	2 sec.
	Airvented	24 sec.	0 sec.	10 sec.	2 sec.	10 sec.	2 sec.
BK	Condenser	20 sec.	0 sec.	10 sec.	2 sec.	10 sec.	2 sec.
	Airvented	19 sec.	0 sec.	10 sec.	2 sec.	5 sec.	2 sec.

Humidity Measurement Test

Max. Duration: no limit

Description: Test is active during Steps 3 and Step8

- Resistors have to be connected at the humidity sensor
- Door must be closed or door switch blocked (otherwise 24V power supply off)
- LEDs indicate measured humidity level due to following table:

Resistances	LED OPT1 („Gentle“)	LED Failure 2 („Fluff Filter“)
250 kOhm	ON	OFF
1130 kOhm	ON	ON
3700 kOhm	OFF	ON
open circuit	OFF	OFF

Display and Button Test

Max. Duration: no limit

Description: Test is active during Step1

- If option buttons are pushed related LEDs are switched on and off (also start delay).
- BK: If button + or – of dryness level indication pushed, indication of related seven segment display / LED bar is toggled on/off.

Pump and Float Switch Test (only Condense Dryer)

Max. Duration: no limit

Description: Test is active during Step 1 and Step 2

WCT: 1. Pull out container and fill in water until float switch is activated
 2. Pump should start and „Container“ indication should be ON
 3. Insert Container to recollect the water
 4. When float switch switches back, „Container“ LED is OFF
 5. Pump will continue for 60 seconds until water is drained out

WCB: 1. Pull out container
 2. Indication „Container“ should go ON
 3. Insert container
 4. Indication „Container“ should go OFF

Heater Wiring Test

Max. Duration: during first 60 sec in Step 1, Step 2 unlimited

Description: Test is active during Step 1 and Step 2

- In case of cross-plugging of wiring on heater/thermostat, „Fluff filter“ LED is flashing (0,5 sec ON/ 0,5 sec OFF).

4619 712 57772